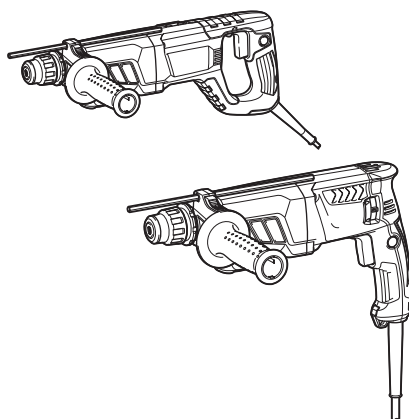


INSTRUCTION MANUAL
MANUEL D'INSTRUCTION
MANUAL DE INSTRUCCIONES



Combination Hammer Marteau Combi Martillo Rotativo Combinado

HR2631F
HR2631FT
HR2641
HR2630
HR2630T



DOUBLE INSULATION
DOUBLE ISOLATION
DOBLE AISLAMIENTO

IMPORTANT: Read Before Using.
IMPORTANT : Lire avant usage.
IMPORTANTE: Lea antes de usar.

SPECIFICATIONS

Model		HR2631F	HR2631FT	HR2641	HR2630	HR2630T
Capacities	Concrete	26 mm (1")				
	Core bit	68 mm (2-11/16")				
	Diamond core bit (dry type)	80 mm (3-1/8")				
	Steel	13 mm (1/2")				
	Wood	32 mm (1-1/4")				
No load speed (RPM)		0 - 1,200 /min		0 - 1,100/min	0 - 1,200 /min	
Blows per minute		0 - 4,600 /min		0 - 4,500/min	0 - 4,600 /min	
Overall length		361 mm (14-1/4")	385 mm (15-1/8")	422 mm (16-5/8")	361 mm (14-1/4")	385 mm (15-1/8")
Net weight		2.9 kg (6.4 lbs)	3.1 kg (6.8 lbs)		2.8 kg (6.2 lbs)	3.0 kg (6.6 lbs)

- Due to our continuing program of research and development, the specifications herein are subject to change without notice.
- Specifications may differ from country to country.
- Weight according to EPTA-Procedure 01/2003

General Power Tool Safety Warnings

⚠WARNING Read all safety warnings and all instructions. Failure to follow the warnings and instructions may result in electric shock, fire and/or serious injury.

Save all warnings and instructions for future reference.

The term "power tool" in the warnings refers to your mains-operated (corded) power tool or battery-operated (cordless) power tool.

Work area safety

1. **Keep work area clean and well lit.** Cluttered or dark areas invite accidents.
2. **Do not operate power tools in explosive atmospheres, such as in the presence of flammable liquids, gases or dust.** Power tools create sparks which may ignite the dust or fumes.
3. **Keep children and bystanders away while operating a power tool.** Distractions can cause you to lose control.

Electrical safety

4. **Power tool plugs must match the outlet. Never modify the plug in any way. Do not use any adapter plugs with earthed (grounded) power tools.** Unmodified plugs and matching outlets will reduce risk of electric shock.
5. **Avoid body contact with earthed or grounded surfaces such as pipes, radiators, ranges and refrigerators.** There is an increased risk of electric shock if your body is earthed or grounded.
6. **Do not expose power tools to rain or wet conditions.** Water entering a power tool will increase the risk of electric shock.
7. **Do not abuse the cord. Never use the cord for carrying, pulling or unplugging the power tool. Keep cord away from heat, oil, sharp edges or moving parts.** Damaged or entangled cords increase the risk of electric shock.

8. **When operating a power tool outdoors, use an extension cord suitable for outdoor use.** Use of a cord suitable for outdoor use reduces the risk of electric shock.
9. **If operating a power tool in a damp location is unavoidable, use a ground fault circuit interrupter (GFCI) protected supply.** Use of an GFCI reduces the risk of electric shock.

Personal safety

10. **Stay alert, watch what you are doing and use common sense when operating a power tool. Do not use a power tool while you are tired or under the influence of drugs, alcohol or medication.** A moment of inattention while operating power tools may result in serious personal injury.
11. **Use personal protective equipment. Always wear eye protection.** Protective equipment such as dust mask, non-skid safety shoes, hard hat, or hearing protection used for appropriate conditions will reduce personal injuries.
12. **Prevent unintentional starting. Ensure the switch is in the off-position before connecting to power source and/or battery pack, picking up or carrying the tool.** Carrying power tools with your finger on the switch or energising power tools that have the switch on invites accidents.
13. **Remove any adjusting key or wrench before turning the power tool on.** A wrench or a key left attached to a rotating part of the power tool may result in personal injury.
14. **Do not overreach. Keep proper footing and balance at all times.** This enables better control of the power tool in unexpected situations.
15. **Dress properly. Do not wear loose clothing or jewellery. Keep your hair, clothing, and gloves away from moving parts.** Loose clothes, jewellery or long hair can be caught in moving parts.
16. **If devices are provided for the connection of dust extraction and collection facilities, ensure these are connected and properly used.** Use of dust collection can reduce dust-related hazards.

Power tool use and care

17. **Do not force the power tool. Use the correct power tool for your application.** The correct power tool will do the job better and safer at the rate for which it was designed.
18. **Do not use the power tool if the switch does not turn it on and off.** Any power tool that cannot be controlled with the switch is dangerous and must be repaired.
19. **Disconnect the plug from the power source and/or the battery pack from the power tool before making any adjustments, changing accessories, or storing power tools.** Such preventive safety measures reduce the risk of starting the power tool accidentally.
20. **Store idle power tools out of the reach of children and do not allow persons unfamiliar with the power tool or these instructions to operate the power tool.** Power tools are dangerous in the hands of untrained users.
21. **Maintain power tools. Check for misalignment or binding of moving parts, breakage of parts and any other condition that may affect the power tool's operation. If damaged, have the power tool repaired before use.** Many accidents are caused by poorly maintained power tools.

22. **Keep cutting tools sharp and clean.** Properly maintained cutting tools with sharp cutting edges are less likely to bind and are easier to control.
23. **Use the power tool, accessories and tool bits etc. in accordance with these instructions, taking into account the working conditions and the work to be performed.** Use of the power tool for operations different from those intended could result in a hazardous situation.

Service

24. **Have your power tool serviced by a qualified repair person using only identical replacement parts.** This will ensure that the safety of the power tool is maintained.
25. **Follow instruction for lubricating and changing accessories.**
26. **Keep handles dry, clean and free from oil and grease.**

USE PROPER EXTENSION CORD. Make sure your extension cord is in good condition. When using an extension cord, be sure to use one heavy enough to carry the current your product will draw. An undersized cord will cause a drop in line voltage resulting in loss of power and overheating. Table 1 shows the correct size to use depending on cord length and nameplate ampere rating. If in doubt, use the next heavier gage. The smaller the gage number, the heavier the cord.

Table 1: Minimum gage for cord

Ampere Rating		Volts	Total length of cord in feet			
		120V	25 ft.	50 ft.	100 ft.	150 ft.
		220V - 240V	50 ft.	100 ft.	200 ft.	300 ft.
More Than	Not More Than	AWG				
0	6	/	18	16	16	14
6	10		18	16	14	12
10	12		16	16	14	12
12	16		14	12	Not Recommended	

ROTARY HAMMER SAFETY WARNINGS

1. **Wear ear protectors.** Exposure to noise can cause hearing loss.
2. **Use auxiliary handle(s), if supplied with the tool.** Loss of control can cause personal injury.
3. **Hold power tool by insulated gripping surfaces, when performing an operation where the cutting accessory may contact hidden wiring or its own cord.** Cutting accessory contacting a "live" wire may make exposed metal parts of the power tool "live" and could give the operator an electric shock.
4. **Wear a hard hat (safety helmet), safety glasses and/or face shield. Ordinary eye or sun glasses are NOT safety glasses. It is also highly recommended that you wear a dust mask and thickly padded gloves.**
5. **Be sure the bit is secured in place before operation.**
6. **Under normal operation, the tool is designed to produce vibration. The screws can come loose easily, causing a breakdown or accident. Check tightness of screws carefully before operation.**
7. **In cold weather or when the tool has not been used for a long time, let the tool warm up for a while by operating it under no load. This will loosen up the lubrication. Without proper warm-up, hammering operation is difficult.**
8. **Always be sure you have a firm footing. Be sure no one is below when using the tool in high locations.**
9. **Hold the tool firmly with both hands.**
10. **Keep hands away from moving parts.**
11. **Do not leave the tool running. Operate the tool only when hand-held.**
12. **Do not point the tool at any one in the area when operating. The bit could fly out and injure someone seriously.**




13. Do not touch the bit or parts close to the bit immediately after operation; they may be extremely hot and could burn your skin.
14. Some material contains chemicals which may be toxic. Take caution to prevent dust inhalation and skin contact. Follow material supplier safety data.

SAVE THESE INSTRUCTIONS.

⚠ WARNING: DO NOT let comfort or familiarity with product (gained from repeated use) replace strict adherence to safety rules for the subject product. **MISUSE** or failure to follow the safety rules stated in this instruction manual may cause serious personal injury.

Symbols

The followings show the symbols used for tool.

V	volts
A	amperes
Hz	hertz
	alternating current
n_0	no load speed
	Class II Construction
... /min r /min	revolutions or reciprocation per minute
	number of blow

FUNCTIONAL DESCRIPTION

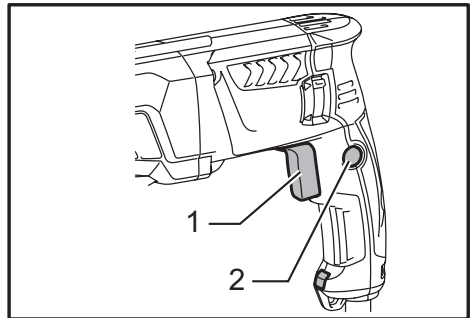
⚠ CAUTION:

- Always be sure that the tool is switched off and unplugged before adjusting or checking function on the tool.

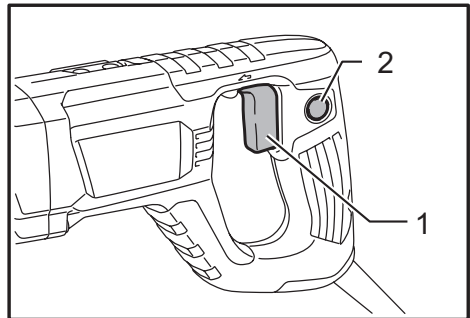
Switch action

⚠ CAUTION:

- Before plugging in the tool, always check to see that the switch trigger actuates properly and returns to the "OFF" position when released.



► 1. Switch trigger 2. Lock button



► 1. Switch trigger 2. Lock button

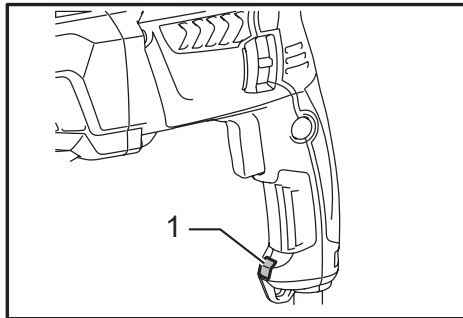
To start the tool, simply pull the switch trigger. Tool speed is increased by increasing pressure on the switch trigger. Release the switch trigger to stop. For continuous operation, pull the switch trigger, push in the lock button and then release the switch trigger. To stop the tool from the locked position, pull the switch trigger fully, then release it.

Lighting up the lamps

For Model HR2631F, HR2631FT

CAUTION:

- Do not look in the light or see the source of light directly.



► 1. Lamp

To turn on the lamp, pull the trigger. Release the trigger to turn it off.

NOTE:

- Use a dry cloth to wipe the dirt off the lens of lamp. Be careful not to scratch the lens of lamp, or it may lower the illumination.
- Do not use thinner or gasoline to clean the lamp. Such solvents may damage it.

Reversing switch action

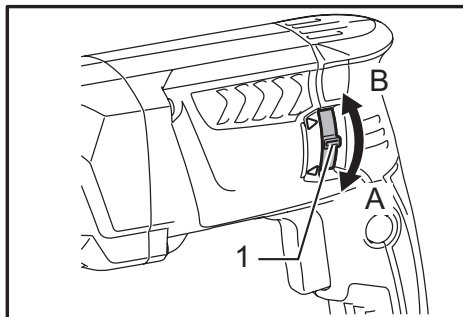
CAUTION:

- Always check the direction of rotation before operation.
- Use the reversing switch only after the tool comes to a complete stop. Changing the direction of rotation before the tool stops may damage the tool.

For Model HR2631F, HR2631FT, HR2630, HR2630T

CAUTION:

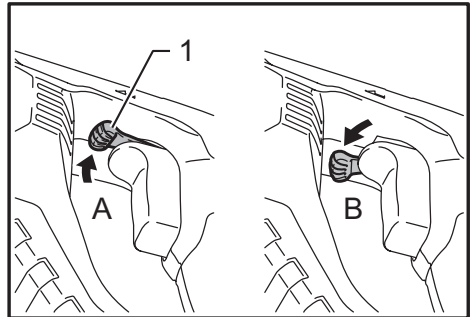
- If the switch trigger can not be depressed, check to see that the reversing switch is fully set to position ◀ (A side) or ▶ (B side).



► 1. Reversing switch lever

This tool has a reversing switch to change the direction of rotation. Move the reversing switch lever to the ◀ position (A side) for clockwise rotation or the ▶ position (B side) for counterclockwise rotation.

For Model HR2641



► 1. Reversing switch lever

NOTE:

- When you operate the tool in counterclockwise rotation, the switch trigger is pulled only halfway and the tool runs at half speed. For counterclockwise rotation, you cannot push in the lock button.

This tool has a reversing switch to change the direction of rotation. Move the reversing switch lever to the ◀ position (A side) for clockwise rotation or the ▶ position (B side) for counterclockwise rotation.

Changing the quick change chuck for SDS-plus

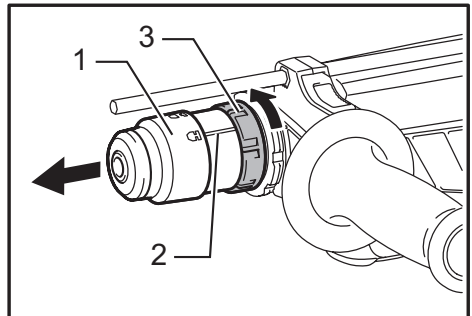
For Model HR2631FT, HR2630T

The quick change chuck for SDS-plus can be easily exchanged for the quick change drill chuck.



Removing the quick change chuck for SDS-plus

CAUTION:

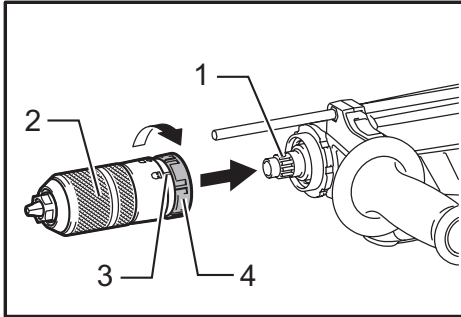
- Before removing the quick change chuck for SDS-plus, always remove the bit.






► 1. Quick change chuck for SDS-plus 2. Change cover line 3. Change cover

Grasp the change cover of the quick change chuck for SDS-plus and turn in the direction of the arrow until the change cover line moves from the  symbol to the  symbol. Pull forcefully in the direction of the arrow.

Attaching the quick change drill chuck



- 1. Spindle 2. Quick change drill chuck 3. Change cover line 4. Change cover

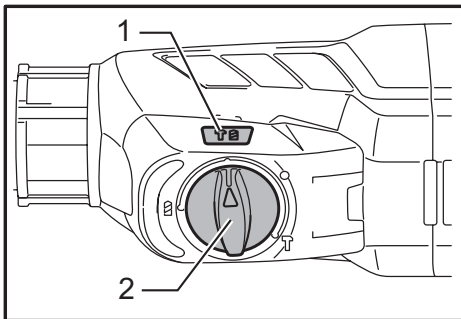
Check the line of the quick change drill chuck shows the  symbol. Grasp the change cover of the quick change drill chuck and set the line to the  symbol. Place the quick change drill chuck on the spindle of the tool. Grasp the change cover of the quick change drill chuck and turn the change cover line to the  symbol until a click can clearly be heard.

Selecting the action mode


⚠ CAUTION:

- Do not rotate the action mode changing knob when the tool is running. The tool will be damaged.
- To avoid rapid wear on the mode change mechanism, be sure that the action mode changing knob is always positively located in one of the three action mode positions.

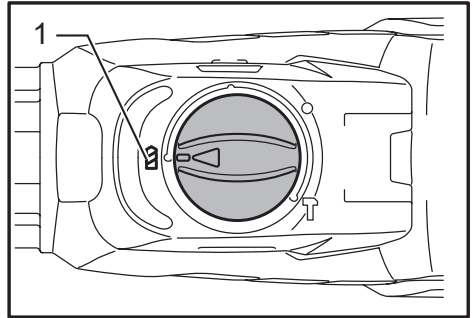
Rotation with hammering




- 1. Rotation with hammering 2. Action mode changing knob

For drilling in concrete, masonry, etc., rotate the action mode changing knob to the  symbol. Use a tungsten-carbide tipped bit.

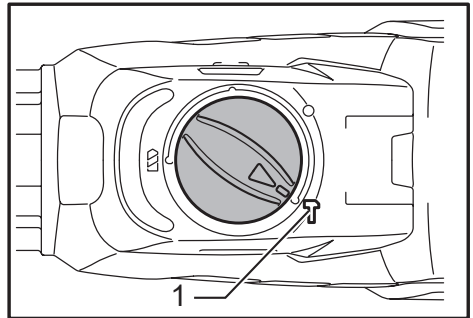
Rotation only




- 1. Rotation only

For drilling in wood, metal or plastic materials, rotate the action mode changing knob to the  symbol. Use a twist drill bit or wood bit.

Hammering only



- 1. Hammering only

For chipping, scaling or demolition operations, rotate the action mode changing knob to the  symbol. Use a bull point, cold chisel, scaling chisel, etc.

Torque limiter

⚠ CAUTION:

- As soon as the torque limiter actuates, switch off the tool immediately. This will help prevent premature wear of the tool.
- Bits such as hole saw, which tend to pinch or catch easily in the hole, are not appropriate for this tool. This is because they will cause the torque limiter to actuate too frequently.

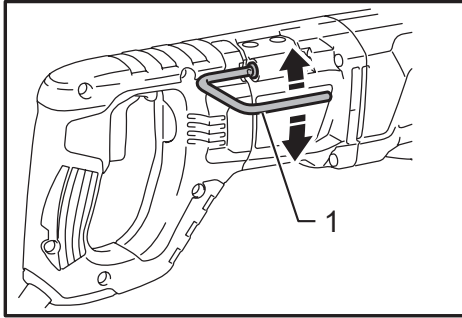
The torque limiter will actuate when a certain torque level is reached. The motor will disengage from the output shaft. When this happens, the bit will stop turning.

Hook

For Model HR2641

⚠ CAUTION:

- Never hook the tool at high location or on potentially unstable surface.



► 1. Hook

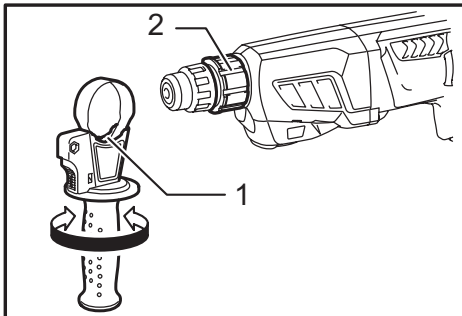
The hook is convenient for hanging the tool temporarily. To use the hook, simply lift up hook until it snaps into the open position. When not in use, always lower hook until it snaps into the closed position.

ASSEMBLY

⚠ CAUTION:

- Always be sure that the tool is switched off and unplugged before carrying out any work on the tool.

Side grip (auxiliary handle)



► 1. Protrusions 2. Grooves

⚠ CAUTION:

- Always use the side grip to ensure operating safety.

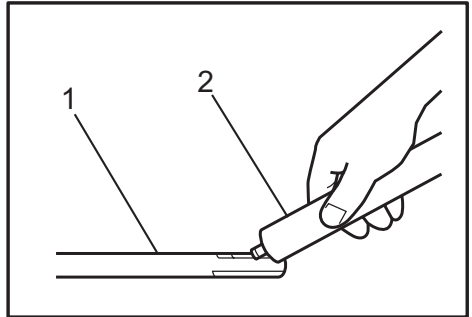
Install the side grip so that the protrusions on the grip fit in between the grooves on the tool barrel. Then tighten the grip by turning clockwise at the desired position. It may be swung 360° so as to be secured at any position.

Bit grease

Coat the bit shank beforehand with a small amount of bit grease (about 0.5 - 1 g).

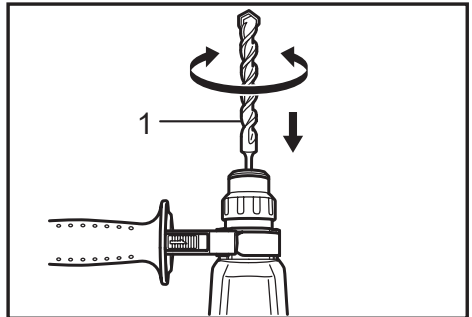
This chuck lubrication assures smooth action and longer service life.

Installing or removing the bit



► 1. Bit shank 2. Bit grease

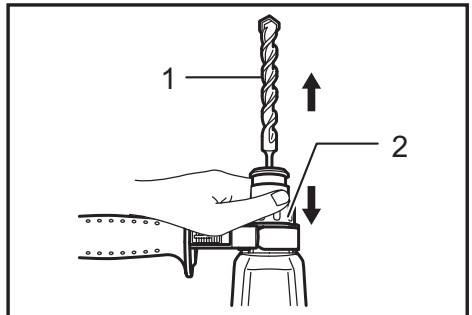
Clean the bit shank and apply bit grease before installing the bit.



► 1. Bit

Insert the bit into the tool. Turn the bit and push it in until it engages.

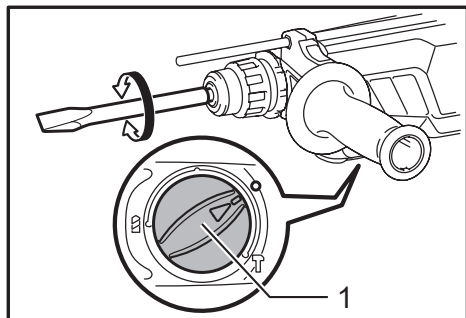
After installing, always make sure that the bit is securely held in place by trying to pull it out.



► 1. Bit 2. Chuck cover

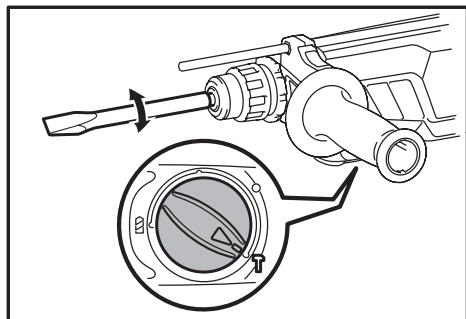
To remove the bit, pull the chuck cover down all the way and pull the bit out.

Bit angle (when chipping, scaling or demolishing)



► 1. Action mode changing knob

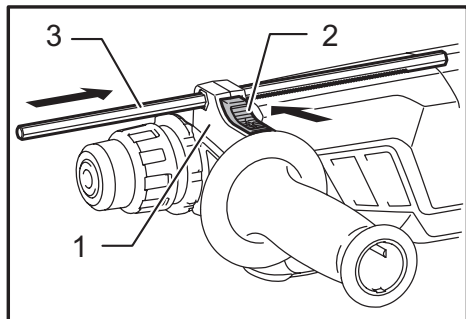
The bit can be secured at the desired angle. To change the bit angle, rotate the action mode changing knob to the **O** symbol. Turn the bit to the desired angle.



Rotate the action mode changing knob to the **T** symbol. Then make sure that the bit is securely held in place by turning it slightly.

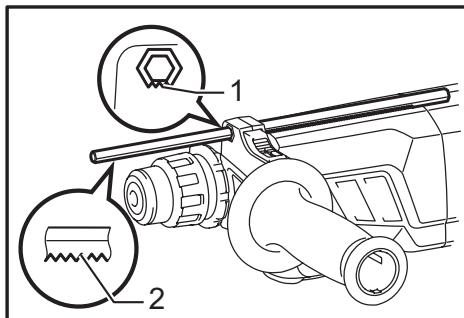
Depth gauge

The depth gauge is convenient for drilling holes of uniform depth.



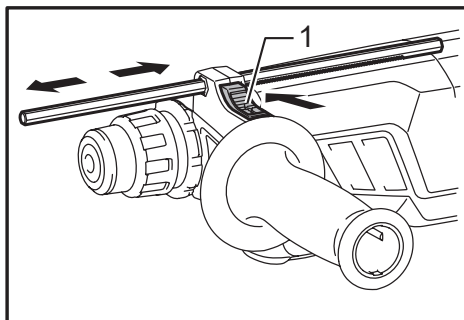
► 1. Grip base 2. Lock button 3. Depth gauge

Press the lock button on the grip base in the direction of arrow shown in the figure and with the lock button being pressed insert the depth gauge into the hex. hole in the grip base.



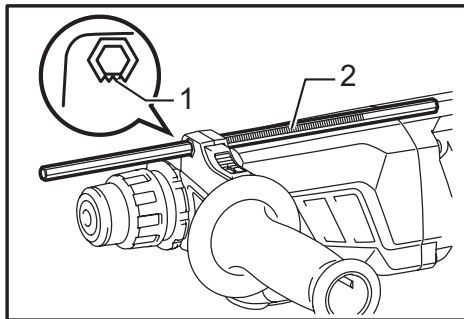
► 1. Toothed side of hex hole marking on the grip base 2. Toothed side of the depth gauge

At this time, the depth gauge needs to be inserted so that its toothed side is directed to the toothed side of hex hole marking on the grip base as shown in the figure.



► 1. Lock button

Adjust the depth gauge to the desired depth by moving it back and forth while pressing the lock button. After the adjustment, release the lock button to lock the depth gauge.

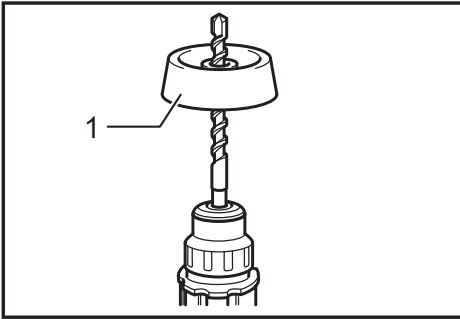


► 1. Toothed side of hex hole marking on the grip base 2. Toothed side of the depth gauge

NOTE:

- Inserting the depth gauge with its toothed side not directed to the toothed side of hex hole marking on the grip base as shown in the figure does not allow the depth gauge to be locked.

Dust cup (optional accessory)



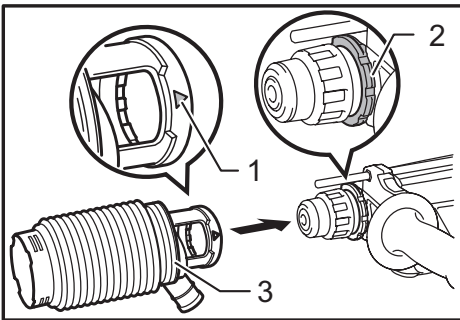
► 1. Dust cup

Use the dust cup to prevent dust from falling over the tool and on yourself when performing overhead drilling operations. Attach the dust cup to the bit as shown in the figure. The size of bits which the dust cup can be attached to is as follows.

	Bit diameter
Dust cup 5	6 mm (1/4") - 14.5 mm (9/16")
Dust cup 9	12 mm (15/32") - 16 mm (5/8")

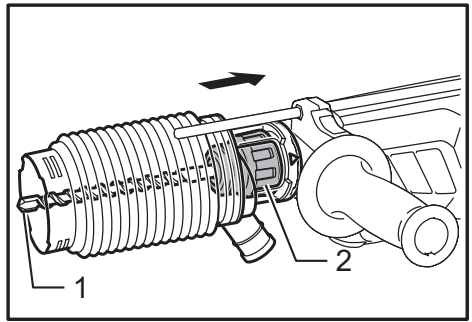
There is another type of dust cup (optional accessory) which helps you prevent dust from falling over the tool and on yourself when performing overhead drilling operations.

Installing or removing the dust cup (optional accessory)



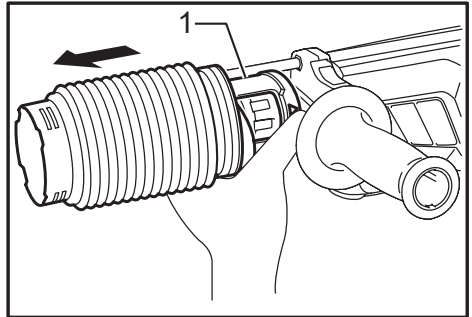
► 1. Δ symbol 2. Grooves 3. Dust cup

Before installing the dust cup, remove the bit from the tool if installed on the tool. Install the dust cup (optional accessory) on the tool so that the Δ symbol on the dust cup is aligned with the grooves in the tool.



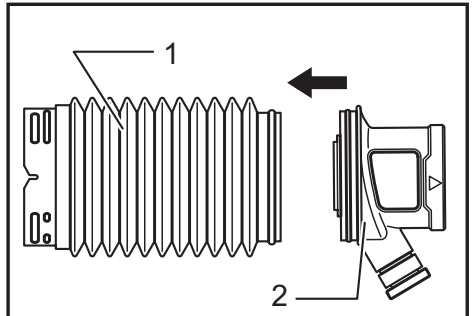
► 1. Bit 2. Chuck cover

To remove the dust cup, pull the chuck cover in the direction as shown in the figure and with the chuck cover pulled take the bit out of the tool.

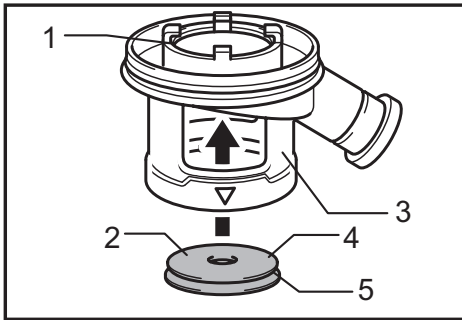


► 1. Attachment at the foot of dust cup

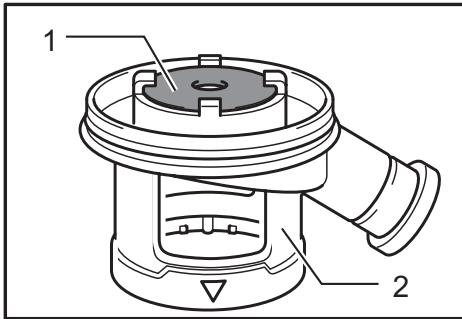
And then grab the attachment at the foot of dust cup and take it out.



► 1. Bellows 2. Attachment



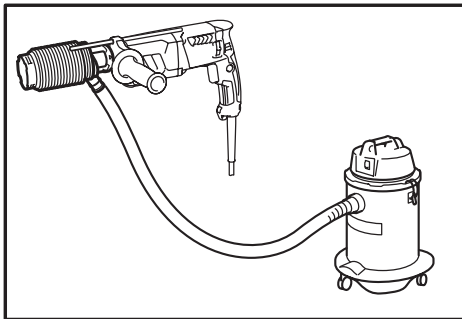
- 1. Inside periphery 2. Flat side 3. Attachment 4. Cap
5. Groove



- 1. Cap 2. Attachment

NOTE:

- When installing or removing the dust cup, the cap may come off the dust cup. At that time, proceed as follows. Remove the bellows from the attachment and fit the cap from the side shown in the figure with its flat side facing upward so that the groove in the cap fits in the inside periphery of the attachment. Finally, mount the bellows that has been removed.



NOTE:

- If you connect a vacuum cleaner to your hammer, cleaner operations can be performed. Dust cap needs to be removed from the dust cup before the connection.

OPERATION

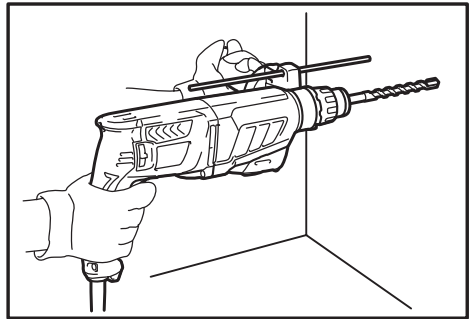
CAUTION:


- Always use the side grip (auxiliary handle) and firmly hold the tool by both side grip and switch handle during operations.

Hammer drilling operation

CAUTION:

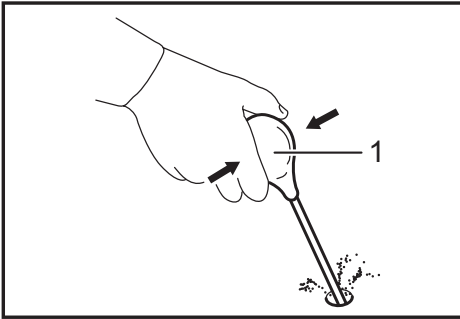
- There is a tremendous and sudden twisting force exerted on the tool/bit at the time of hole break-through, when the hole becomes clogged with chips and particles, or when striking reinforcing rods embedded in the concrete. Always use the side grip (auxiliary handle) and firmly hold the tool by both side grip and switch handle during operations. Failure to do so may result in the loss of control of the tool and potentially severe injury.



Set the action mode changing knob to the  symbol. Position the bit at the desired location for the hole, then pull the switch trigger. Do not force the tool. Light pressure gives best results. Keep the tool in position and prevent it from slipping away from the hole. Do not apply more pressure when the hole becomes clogged with chips or particles. Instead, run the tool at an idle, then remove the bit partially from the hole. By repeating this several times, the hole will be cleaned out and normal drilling may be resumed.

NOTE: Eccentricity in the bit rotation may occur while operating the tool with no load. The tool automatically centers itself during operation. This does not affect the drilling precision.

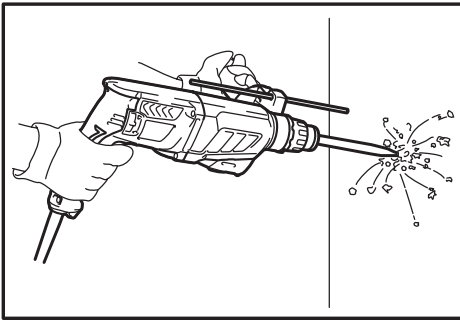
Blow-out bulb (optional accessory)




► 1. Blow-out bulb

After drilling the hole, use the blow-out bulb to clean the dust out of the hole.

Chipping/Scaling/Demolition




Set the action mode changing knob to the  symbol. Hold the tool firmly with both hands. Turn the tool on and apply slight pressure on the tool so that the tool will not bounce around, uncontrolled. Pressing very hard on the tool will not increase the efficiency.

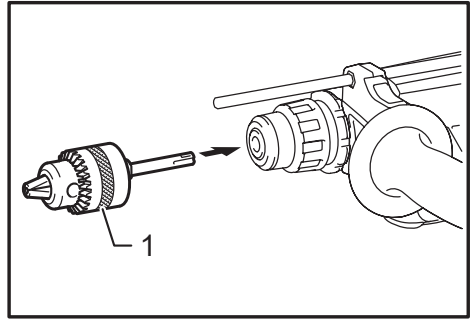
Drilling in wood or metal

⚠ CAUTION:

- Never use "rotation with hammering" when the quick change drill chuck is installed on the tool. The quick change drill chuck may be damaged. Also, the drill chuck will come off when reversing the tool.
- Pressing excessively on the tool will not speed up the drilling. In fact, this excessive pressure will only serve to damage the tip of your bit, decrease the tool performance and shorten the service life of the tool.
- There is a tremendous twisting force exerted on the tool/bit at the time of hole breakthrough. Hold the tool firmly and exert care when the bit begins to break through the workpiece.
- A stuck bit can be removed simply by setting the reversing switch to reverse rotation in order to back out. However, the tool may back out abruptly if you do not hold it firmly.
- Always secure small workpieces in a vise or similar hold-down device.

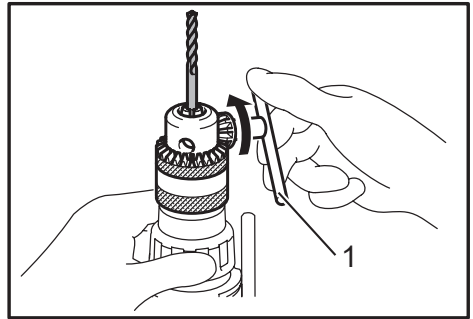
Set the action mode changing knob to the  symbol. You can drill up to 13 mm diameter in metal and up to 32 mm diameter in wood.

For Model HR2631F, HR2641, HR2630



► 1. Drill chuck assembly (optional accessory)

Use the drill chuck assembly (optional accessory). When installing it, refer to "Installing or removing the bit" described on the previous page.

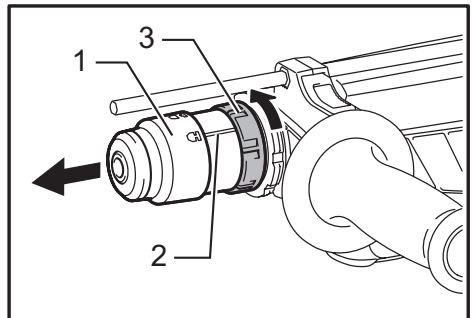


► 1. Chuck key

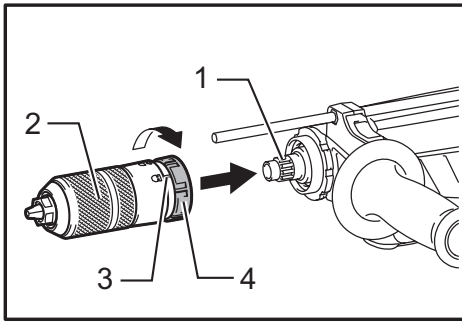
To install the bit, place it in the chuck as far as it will go. Tighten the chuck by hand. Place the chuck key in each of the three holes and tighten clockwise. Be sure to tighten all three chuck holes evenly.

To remove the bit, turn the chuck key counterclockwise in just one hole, then loosen the chuck by hand.

For Model HR2631FT, HR2630T

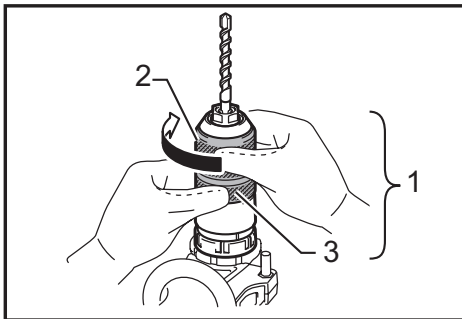


► 1. Quick change chuck for SDS-plus 2. Change cover line 3. Change cover



- 1. Spindle 2. Quick change drill chuck 3. Change cover line 4. Change cover

Use the quick change drill chuck as standard equipment. When installing it, refer to "changing the quick change chuck for SDS-plus" described on the previous page.



- 1. Quick change drill chuck 2. Sleeve 3. Ring


Hold the ring and turn the sleeve counterclockwise to open the chuck jaws. Place the bit in the chuck as far as it will go. Hold the ring firmly and turn the sleeve clockwise to tighten the chuck.

To remove the bit, hold the ring and turn the sleeve counterclockwise.

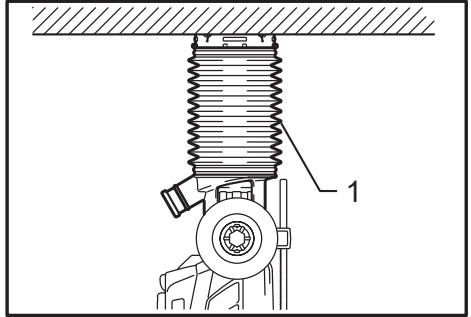
Diamond core drilling

⚠ CAUTION:

- If performing diamond core drilling operations using "rotation with hammering" action, the diamond core bit may be damaged.

When performing diamond core drilling operations, always set the change lever to the  position to use "rotation only" action.

Operation when using the dust cup (optional accessory)



- 1. Dust cup

Operate the tool with the dust cup against the ceiling surface.

NOTE:

- The dust cup (optional accessory) is intended only for drilling in the ceramic workpiece such as concrete and mortar. Do not use the tool with the dust cup when drilling in metal or similar. Using the dust cup for drilling in the metal may damage the dust cup due to the heat produced by small metal dust or similar.
- Empty the dust cup before removing a drill bit.
- When using the dust cup, make sure that the dust cup is mounted on it securely.

MAINTENANCE

⚠ CAUTION:

- Always be sure that the tool is switched off and unplugged before attempting to perform inspection or maintenance.
- Never use gasoline, benzine, thinner, alcohol or the like. Discoloration, deformation or cracks may result.

To maintain product SAFETY and RELIABILITY, repairs, carbon brush inspection and replacement, any other maintenance or adjustment should be performed by Makita Authorized or Factory Service Centers, always using Makita replacement parts.

OPTIONAL ACCESSORIES

⚠ CAUTION:

- These accessories or attachments are recommended for use with your Makita tool specified in this manual. The use of any other accessories or attachments might present a risk of injury to persons. Only use accessory or attachment for its stated purpose.

If you need any assistance for more details regarding these accessories, ask your local Makita Service Center.

- SDS-Plus Carbide-tipped bits
- Core bit
- Bull point
- Diamond core bit
- Cold chisel
- Scaling chisel
- Grooving chisel
- Drill chuck assembly
- Drill chuck S13
- Chuck adapter
- Chuck key S13
- Bit grease
- Side grip
- Depth gauge
- Blow-out bulb
- Dust cup
- Plastic carrying case
- Keyless drill chuck

NOTE:

- Some items in the list may be included in the tool package as standard accessories. They may differ from country to country.

MAKITA LIMITED WARRANTY

Please refer to the annexed warranty sheet for the most current warranty terms applicable to this product. If annexed warranty sheet is not available, refer to the warranty details set forth at below website for your respective country.

United States of America: www.makitatools.com

Canada: www.makita.ca

Other countries: www.makita.com

SPÉCIFICATIONS

Modèle		HR2631F	HR2631FT	HR2641	HR2630	HR2630T
Capacités	Béton	26 mm (1")				
	Trépan	68 mm (2-11/16")				
	Foret au diamant (type sec)	80 mm (3-1/8")				
	Acier	13 mm (1/2")				
	Bois	32 mm (1-1/4")				
Vitesse à vide (RPM)		0 - 1 200 /min		0 - 1 100 /min	0 - 1 200 /min	
Nombre de frappes par minute		0 - 4 600 /min		0 - 4 500 /min	0 - 4 600 /min	
Longueur totale		361 mm (14-1/4")	385 mm (15-1/8")	422 mm (16-5/8")	361 mm (14-1/4")	385 mm (15-1/8")
Poids net		2,9 kg (6,4 lbs)	3,1 kg (6,8 lbs)		2,8 kg (6,2 lbs)	3,0 kg (6,6 lbs)

• Étant donné l'évolution constante de notre programme de recherche et de développement, les spécifications contenues dans ce manuel sont sujettes à modification sans préavis.

- Les spécifications peuvent varier suivant les pays.
- Poids conforme à la procédure EPTA du 01/2003

Consignes de sécurité générales pour outils électriques

⚠ MISE EN GARDE Veuillez lire toutes les mises en garde de sécurité et toutes les instructions. L'ignorance des mises en garde et des instructions comporte un risque de choc électrique, d'incendie et/ou de blessure grave.

Conservez toutes les mises en garde et instructions pour référence future.

Le terme « outil électrique » qui figure dans les avertissements fait référence à un outil électrique branché sur une prise de courant (par un cordon d'alimentation) ou alimenté par batterie (sans fil).

Sécurité de la zone de travail

1. **Maintenez la zone de travail propre et bien éclairée.** Les zones de travail encombrées ou sombres ouvrent grande la porte aux accidents.
2. **N'utilisez pas les outils électriques dans les atmosphères explosives, par exemple en présence de liquides, gaz ou poussières inflammables.** Les outils électriques produisent des étincelles au contact desquelles la poussière ou les vapeurs peuvent s'enflammer.
3. **Assurez-vous qu'aucun enfant ou curieux ne s'approche pendant que vous utilisez un outil électrique.** Vous risquez de perdre la maîtrise de l'outil si votre attention est détournée.

Sécurité en matière d'électricité

4. **Les fiches d'outil électrique sont conçues pour s'adapter parfaitement aux prises de courant. Ne modifiez jamais la fiche de quelque façon que ce soit. N'utilisez aucun adaptateur de fiche sur les outils électriques avec mise à la terre.** En ne modifiant pas les fiches et en les insérant dans des prises de courant pour lesquelles elles ont été conçues vous réduirez les risques de choc électrique.

5. **Évitez tout contact corporel avec les surfaces mises à la terre, telles que les tuyaux, radiateurs, cuisinières et réfrigérateurs.** Le risque de choc électrique est plus élevé si votre corps se trouve mis à la terre.
6. **N'exposez pas les outils électriques à la pluie ou à l'eau.** La présence d'eau dans un outil électrique augmente le risque de choc électrique.
7. **Ne maltraitez pas le cordon. N'utilisez jamais le cordon pour transporter, tirer ou débrancher l'outil électrique. Maintenez la terre, dès à l'écart des sources de chaleur, de l'huile, des objets à bords tranchants et des pièces en mouvement.** Le risque de choc électrique est plus élevé lorsque les cordons sont endommagés ou enchevêtrés.
8. **Lorsque vous utilisez un outil électrique à l'extérieur, utilisez un cordon prolongateur prévu à cette fin.** Les risques de choc électrique sont moindres lorsqu'un cordon conçu pour l'extérieur est utilisé.
9. **Si vous devez utiliser un outil électrique dans un endroit humide, utilisez une source d'alimentation protégée par un disjoncteur de fuite à la terre.** L'utilisation d'un disjoncteur de fuite à la terre réduit le risque de choc électrique.

Sécurité personnelle

10. **Restez alerte, attentif à vos mouvements et faites preuve de bon sens lorsque vous utilisez un outil électrique. Évitez d'utiliser un outil électrique si vous êtes fatigué ou si vous avez pris une drogue, de l'alcool ou un médicament.** Un moment d'inattention pendant l'utilisation d'un outil électrique peut entraîner une grave blessure.
11. **Portez des dispositifs de protection personnelle. Portez toujours un protecteur pour la vue.** Les risques de blessure seront moins élevés si vous utilisez des dispositifs de protection tels qu'un masque antipoussières, des chaussures à semelle antidérapante, une coiffure résistante ou une protection d'oreilles.

12. **Évitez les démarrages accidentels. Assurez-vous que l'interrupteur soit en position d'arrêt avant de brancher l'outil à la prise électrique et/ou au bloc-piles, avant de prendre ou de transporter l'outil.** Vous ouvrez la porte aux accidents si vous transportez les outils électriques avec le doigt sur l'interrupteur ou si vous les branchez alors que l'interrupteur est en position de marche.
13. **Retirez toute clé de réglage ou de serrage avant de mettre l'outil sous tension.** Toute clé laissée en place sur une pièce rotative de l'outil électrique peut entraîner une blessure.
14. **Maintenez une bonne position. Assurez-vous d'une bonne prise au sol et d'une bonne position d'équilibre en tout temps.** Cela vous permettra d'avoir une meilleure maîtrise de l'outil dans les situations imprévues.
15. **Portez des vêtements adéquats. Ne portez ni vêtements amples ni bijoux. Vous devez maintenir cheveux, vêtements et gants à l'écart des pièces en mouvement.** Les pièces en mouvement peuvent happer les vêtements amples, les bijoux et les cheveux longs.
16. **Si des accessoires sont fournis pour raccorder un appareil d'aspiration et de collecte de la poussière, assurez-vous qu'ils sont correctement raccordés et qu'ils sont utilisés de manière adéquate.** L'utilisation d'un appareil d'aspiration permet de réduire les risques liés à la présence de poussière dans l'air.

Utilisation et entretien des outils électriques

17. **Ne forcez pas l'outil électrique. Utilisez l'outil électrique adéquat suivant le type de travail à effectuer.** Si vous utilisez l'outil électrique adéquat et respectez le régime pour lequel il a été conçu, il effectuera un travail de meilleure qualité et de façon plus sécuritaire.
18. **N'utilisez pas l'outil électrique s'il n'est pas possible de mettre sa gâchette en position de marche et d'arrêt.** Un outil électrique dont l'interrupteur est défectueux représente un danger et doit être réparé.
19. **Débranchez la fiche de la source d'alimentation et/ou retirez le bloc-piles de l'outil électrique avant d'effectuer tout réglage, de changer un accessoire ou de ranger l'outil électrique.** De telles mesures préventives réduisent les risques de démarrage accidentel de l'outil électrique.

20. **Après l'utilisation d'un outil électrique, rangez-le hors de portée des enfants et ne laissez aucune personne l'utiliser si elle n'est pas familiarisée avec l'outil électrique ou les présentes instructions d'utilisation.** Les outils électriques représentent un danger entre les mains de personnes qui n'en connaissent pas le mode d'utilisation.
21. **Veillez à l'entretien des outils électriques. Assurez-vous que les pièces mobiles ne sont pas désalignées ou coincées, qu'aucune pièce n'est cassée et que l'outil électrique n'a subi aucun dommage affectant son bon fonctionnement. Le cas échéant, faites réparer l'outil électrique avant de l'utiliser.** De nombreux accidents sont causés par des outils électriques mal entretenus.
22. **Maintenez les outils tranchants bien aiguisés et propres.** Un outil tranchant dont l'entretien est effectué correctement et dont les bords sont bien aiguisés risquera moins de se coincer et sera plus facile à maîtriser.
23. **Utilisez l'outil électrique, ses accessoires, ses embouts, etc., en respectant les présentes instructions, en tenant compte des conditions de travail et du type de travail à effectuer.** L'utilisation d'un outil électrique à des fins autres que celles prévues peut entraîner une situation dangereuse.

Réparation

24. **Faites réparer votre outil électrique par un réparateur qualifié qui utilise des pièces de rechange identiques aux pièces d'origine.** Le maintien de la sûreté de l'outil électrique sera ainsi assuré.
25. **Suivez les instructions de lubrification et de changement des accessoires.**
26. **Maintenez les poignées de l'outil sèches, propres et exemptes d'huile ou de graisse.**
UTILISEZ UN CORDON PROLONGATEUR APPROPRIÉ. Assurez-vous que votre cordon prolongateur est en bonne condition. Lorsque vous utilisez un cordon prolongateur, assurez-vous qu'il est assez robuste pour transporter le courant exigé par le produit. Un cordon qui est trop petit entraînera une baisse dans la tension composée, ce qui causera une perte d'énergie et un surchauffage. Le tableau 1 indique la dimension de cordon à utiliser, en fonction de la longueur du cordon et de l'intensité nominale figurant sur la plaque signalétique. En cas de doute, utilisez un cordon plus robuste. Plus le numéro de calibre est bas, plus le cordon est robuste.

Tableau 1. Gabarit minimum du cordon

Intensité nominale		Volts		Longueur totale du cordon en pieds			
		120V		25 pi	50 pi	100 pi	150 pi
		220V - 240V		50 pi	100 pi	200 pi	300 pi
Plus de	Pas plus de	Calibre américain des fils					
0	6	/	18	16	16	14	
6	10		18	16	14	12	
10	12		16	16	14	12	
12	16		14	12	Non recommandé		

CONSIGNES DE SÉCURITÉ POUR MARTEAU ROTATIF




1. **Portez des protections d'oreilles.** L'exposition au bruit peut entraîner des lésions de l'ouïe.
2. **Utilisez la ou les poignées auxiliaires si elles sont fournies avec l'outil.** Toute perte de maîtrise comporte un risque de blessure.
3. **Tenez l'outil électrique par ses surfaces de prise isolées pendant toute opération où l'accessoire de coupe pourrait venir en contact avec un câblage dissimulé ou avec son propre cordon.** En cas de contact de l'accessoire de coupe avec un conducteur sous tension, les pièces métalliques à découvert de l'outil électrique risqueraient de transmettre une décharge à l'utilisateur.
4. **Portez un casque rigide (casque de sécurité) ainsi que des lunettes de sécurité et/ou un écran facial. Les lunettes ordinaires et les lunettes de soleil ne constituent PAS des lunettes de sécurité. Le port d'un masque à poussière et de gants épais est également fortement recommandé.**
5. **Assurez-vous que le foret est bien serré avant d'utiliser l'outil.**
6. **Même dans des conditions d'utilisation ordinaires, l'outil produit des vibrations. Les vis peuvent ainsi se relâcher facilement et risquent d'entraîner une rupture de pièce ou de causer un accident. Avant l'utilisation, vérifiez avec précaution que les vis sont bien serrées.**
7. **Par temps froid ou lorsque l'outil est resté inutilisé pendant une longue période, faites-le réchauffer pendant quelques minutes en le faisant fonctionner à vide. Cela réchauffera le lubrifiant. Sans un réchauffement adéquat, le martelage s'effectue difficilement.**
8. **Adoptez toujours une position de travail vous assurant d'un bon équilibre. Assurez-vous qu'il n'y a personne plus bas lorsque vous utilisez l'outil en position élevée.**
9. **Tenez l'outil fermement à deux mains.**
10. **Gardez vos mains éloignées des pièces mobiles.**
11. **N'abandonnez pas l'outil alors qu'il tourne. Ne faites fonctionner l'outil qu'une fois que vous l'avez bien en main.**
12. **Pendant l'utilisation de l'outil, ne le pointez vers personne dans la zone de travail. Vous risqueriez de blesser gravement quelqu'un en cas d'éjection du foret.**
13. **Ne touchez pas le foret ou les parties situées près du foret immédiatement après l'utilisation ; ils peuvent être extrêmement chauds et brûler votre peau.**
14. **Certains matériaux contiennent des produits chimiques qui peuvent être toxiques. Prenez les précautions nécessaires pour éviter l'inhalation de ces poussières ou leur contact avec la peau. Conformez-vous aux consignes de sécurité du fournisseur du matériau.**

CONSERVEZ CE MODE D'EMPLOI.

⚠ MISE EN GARDE : NE VOUS LAISSEZ PAS tromper (au fil d'une utilisation répétée) par un sentiment d'aisance ou de familiarité avec le produit en négligeant les consignes de sécurité qui accompagnent le produit. L'utilisation non sécuritaire ou incorrecte de cet outil comporte un risque de blessure grave.

Symboles

Les symboles utilisés pour l'outil sont indiqués ci-dessous.

V	volts
A	ampères
Hz	hertz
	courant alternatif
n_0	vitesse à vide
	construction, catégorie II
... /min r /min	tours ou alternances par minute
	nombre de frappes

DESCRIPTION DU FONCTIONNEMENT

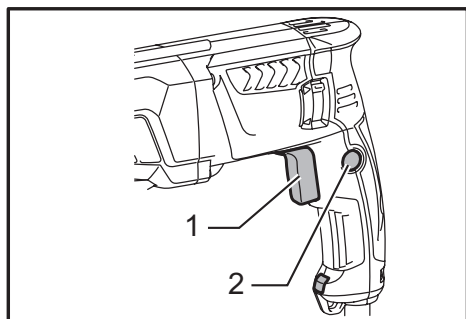
⚠ ATTENTION :

- Assurez-vous toujours que l'outil est hors tension et débranché avant de l'ajuster ou de vérifier son fonctionnement.

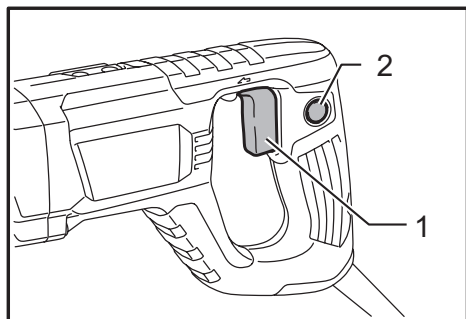
Interrupteur

⚠ ATTENTION :

- Avant de brancher l'outil, assurez-vous toujours que la gâchette fonctionne correctement et revient en position d'arrêt une fois relâchée.



► 1. Gâchette 2. Bouton de verrouillage



► 1. Gâchette 2. Bouton de verrouillage

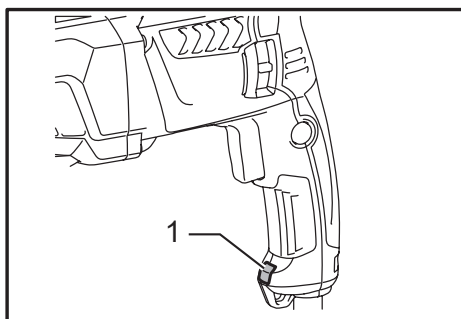
Pour faire démarrer l'outil, appuyez simplement sur la gâchette. La vitesse de l'outil augmente à mesure que vous augmentez la pression sur la gâchette. Pour arrêter l'outil, relâchez la gâchette. Pour un fonctionnement en continu, appuyez sur la gâchette, enfoncez le bouton de verrouillage et relâchez la gâchette. Pour arrêter l'outil à partir de la position verrouillée, pressez la gâchette à fond, puis relâchez-la.

Allumage de la lampe

Pour les modèles HR2631F, HR2631FT

⚠ ATTENTION :

- Evitez de regarder directement le faisceau lumineux ou sa source.



► 1. Lampe

Pour allumer la lampe, appuyez sur la gâchette. Pour l'éteindre, relâchez la gâchette.

NOTE :

- Utilisez un chiffon sec pour essuyer la saleté qui recouvre la lentille de la lampe. Prenez garde de rayer la lentille de la lampe, pour éviter une diminution de l'éclairage.
- Ne pas utiliser de diluant ou d'essence pour nettoyer la lampe. De tels produits solvants risqueraient de l'endommager.

Inverseur

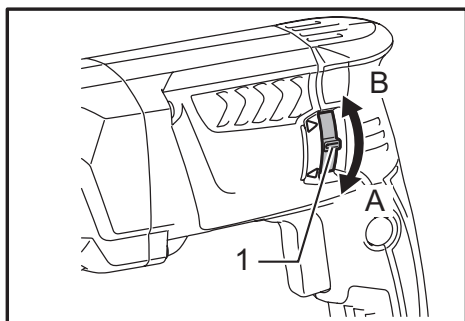
⚠ ATTENTION :

- Vérifiez toujours le sens de rotation avant de mettre l'outil en marche.
- N'actionnez l'inverseur qu'une fois que l'outil est complètement arrêté. Si vous changez le sens de rotation avant l'arrêt de l'outil, vous risquez de l'endommager.

Pour les modèles HR2631F, HR2631FT, HR2630, HR2630T

⚠ ATTENTION :

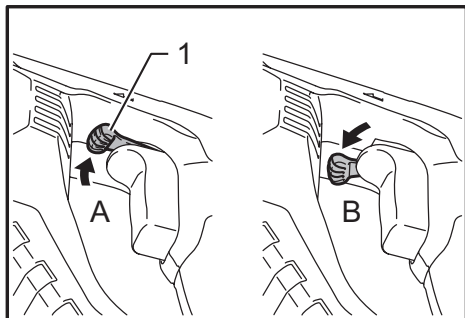
- S'il n'est pas possible d'enfoncer la gâchette, assurez-vous que l'inverseur est parfaitement placé sur la position ◁ (côté A) ou ▷ (côté B).



► 1. Levier inverseur

Cet outil est équipé d'un inverseur pour changer le sens de rotation. Déplacez le levier de l'inverseur sur la position ◁ (côté A) pour une rotation dans le sens des aiguilles d'une montre, ou sur la position ▷ (côté B) pour une rotation dans le sens contraire des aiguilles d'une montre.

Pour les modèles HR2641



► 1. Levier inverseur

NOTE :

- Lorsque vous faites fonctionner l'outil avec une rotation dans le sens inverse des aiguilles d'une montre, la gâchette n'est enfoncée qu'à mi-chemin et l'outil ne tourne qu'à mi-vitesse. De plus, avec la rotation dans le sens inverse des aiguilles d'une montre, il n'est pas possible d'enfoncer le bouton de verrouillage.

Cet outil est équipé d'un inverseur pour changer le sens de rotation. Déplacez le levier de l'inverseur sur la position ◁ (côté A) pour une rotation dans le sens des aiguilles d'une montre, ou sur la position ▷ (côté B) pour une rotation dans le sens contraire des aiguilles d'une montre.

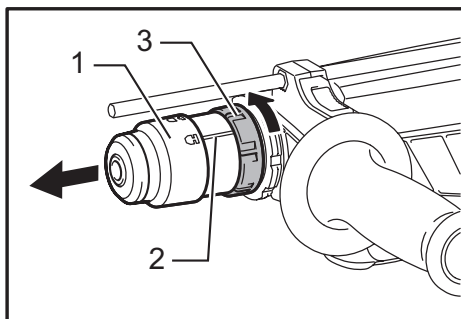
Changer le mandrin à adaptateur rapide pour SDS-plus

Pour les modèles HR2631FT, HR2630T
Il est facile de remplacer le mandrin à adaptateur rapide pour SDS-plus par le mandrin à adaptateur rapide.

Retirer le mandrin à adaptateur rapide pour SDS-plus

ATTENTION :

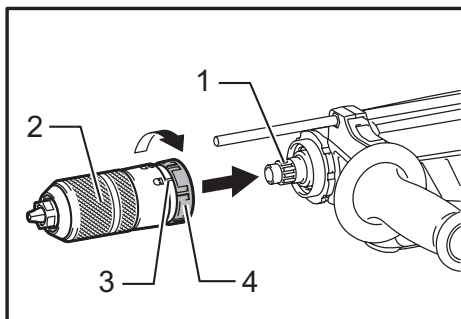
- Avant de retirer le mandrin à adaptateur rapide pour SDS-plus, retirez toujours le foret.



► 1. Mandrin à adaptateur rapide pour SDS-plus
2. Ligne du couvercle adaptateur 3. Couvercle adaptateur

Saisissez le couvercle adaptateur du mandrin à adaptateur rapide pour SDS-plus et tournez-le dans le sens de la flèche jusqu'à ce que la ligne du couvercle adaptateur passe du symbole ◀ au symbole ▶. Tirez avec force dans le sens de la flèche.

Fixer le mandrin à adaptateur rapide



► 1. Axe 2. Mandrin à adaptateur rapide 3. Ligne du couvercle adaptateur 4. Couvercle adaptateur

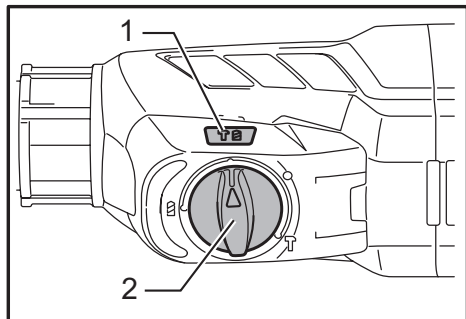
Vérifiez que la ligne du mandrin à adaptateur rapide indique le symbole ▶. Saisissez le couvercle adaptateur du mandrin à adaptateur rapide et placez la ligne sur le symbole ▶. Placez le mandrin à adaptateur rapide sur l'axe de l'outil. Saisissez le couvercle adaptateur du mandrin à adaptateur rapide et tournez la ligne du couvercle adaptateur vers le symbole ▶ jusqu'à ce que vous entendiez clairement un bruit de dé clic.

Sélection du mode de fonctionnement


⚠ ATTENTION :

- Ne tournez pas le bouton de changement de mode pendant que l'outil tourne. Cela endommagerait l'outil.
- Pour éviter toute usure prématurée du mécanisme de changement de mode, veillez à ce que le bouton de changement de mode soit toujours bien réglé sur l'un des trois modes.

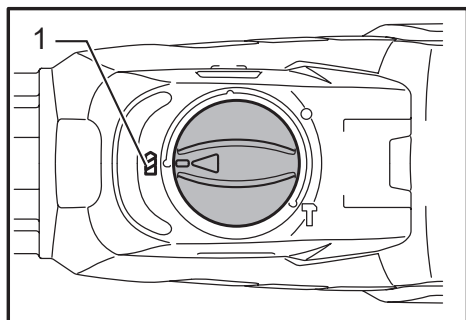
Rotation avec martelage



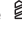
- 1. Rotation avec martelage 2. Bouton de changement de mode

Pour percer un trou dans le béton, la maçonnerie, etc. faites pivoter le bouton de changement de mode sur le symbole . Utilisez un foret à pointe en carbure de tungstène.

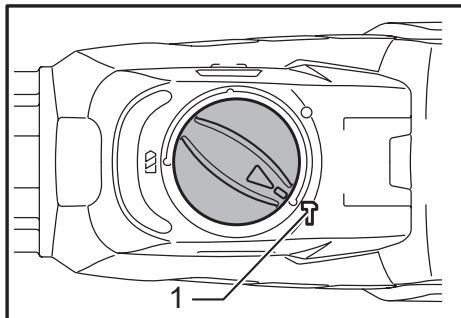
Rotation seulement




- 1. Rotation seulement

Pour percer un trou dans le bois, le métal ou les matériaux plastiques, faites pivoter le bouton de changement de mode sur le symbole . Utilisez un foret hélicoïdal ou à bois.

Martelage seulement



- 1. Martelage seulement

Pour un burinage, un écaillage, ou des travaux de démolition, faites pivoter le bouton de changement de mode sur le symbole . Utilisez une pointe à béton, un ciseau à froid, un ciseau à écailler, etc.

Limiteur de couple

⚠ ATTENTION :

- Coupez le contact dès que le limiteur de couple se déclenche. Ceci permettra d'éviter toute usure prématurée de l'outil.
- Les forets tels que les scies cloches qui ont tendance à se bloquer dans le trou ne sont pas appropriés pour cet outil. Elles déclenchent trop fréquemment le limiteur de couple.

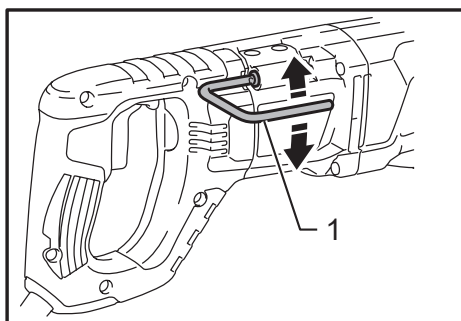
Le limiteur de couple se déclenche lorsqu'un certain niveau de couple est atteint. Le moteur se désaccouple du porte-outil. Dans ce cas, le foret cesse de tourner.

Crochet

Pour les modèles HR2641

⚠ ATTENTION :

- Ne suspendez jamais l'outil dans un endroit très élevé ou sur une surface qui risque d'être instable.



- 1. Crochet

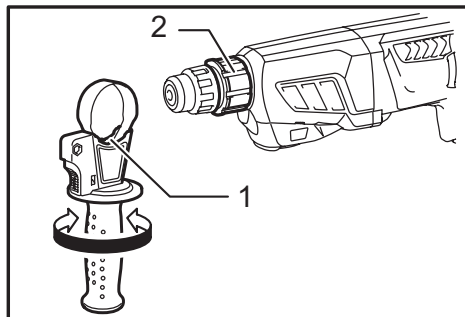
Le crochet a été conçu afin de pouvoir suspendre l'outil de façon temporaire. Pour utiliser le crochet, soulevez-le jusqu'à ce qu'il soit en position ouverte. Lorsqu'il n'est pas utilisé, abaissez toujours le crochet jusqu'à ce qu'il soit en position fermée.

ASSEMBLAGE

⚠ ATTENTION :

- Avant d'effectuer toute intervention sur l'outil, assurez-vous toujours qu'il est hors tension et débranché.

Poignée latérale (poignée auxiliaire)



► 1. Saillies 2. Rainures

⚠ ATTENTION :

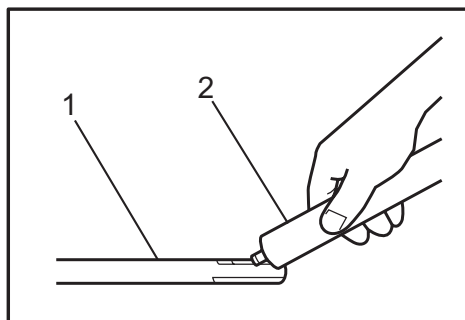
- Utilisez toujours la poignée latérale pour assurer votre sécurité.

Installez la poignée latérale de sorte que les parties saillantes de la poignée pénètrent entre les rainures du barillet de l'outil. Serrez ensuite la poignée sur la position désirée en tournant dans le sens des aiguilles d'une montre. Il est possible de lui faire faire une rotation de 360° pour obtenir n'importe quelle position.

Graisse rose

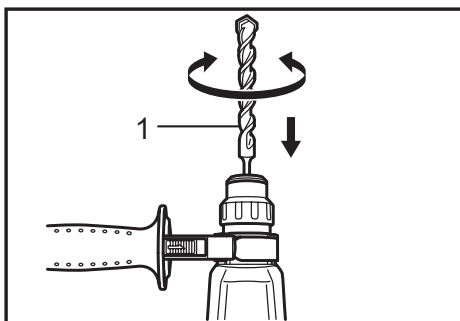
Avant de procéder, enduisez la queue du foret d'une légère couche de graisse (environ 0,5 - 1 g). Cette lubrification du porte-outil assurera un fonctionnement en douceur et une longue durée de service.

Installation et retrait du foret



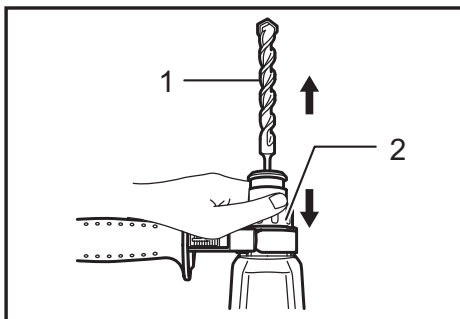
► 1. Queue du foret 2. Graisse à foret

Nettoyez la queue du foret et enduisez-la de graisse à foret avant d'installer le foret.



► 1. Embout

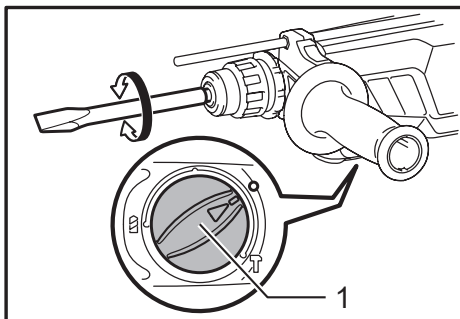
Insérez le foret dans l'outil. Tournez le foret puis enfoncez-le jusqu'à ce qu'il soit engagé. Après l'installation, vérifiez toujours que le foret est solidement fixé en essayant de le sortir.



► 1. Embout 2. Couvercle du mandrin

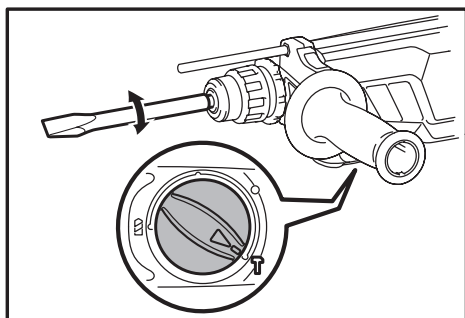
Pour retirer le foret, tirez le couvercle du mandrin à fond vers le bas puis dégagez le foret.


Orientation du foret (lors d'un burinage, d'un écaillage, ou de travaux de démolition)



► 1. Bouton de changement de mode

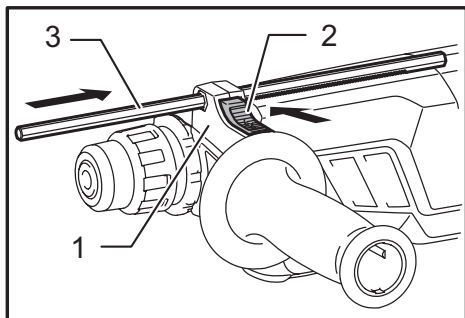
Le foret peut être fixé à l'angle désiré. Pour changer l'orientation du foret, faites pivoter le bouton de changement de mode sur le symbole **O**. Orientez le foret à l'angle désiré.



Faites pivoter le bouton de changement de mode sur le symbole . Vérifiez que le foret est solidement fixé en le tournant légèrement.

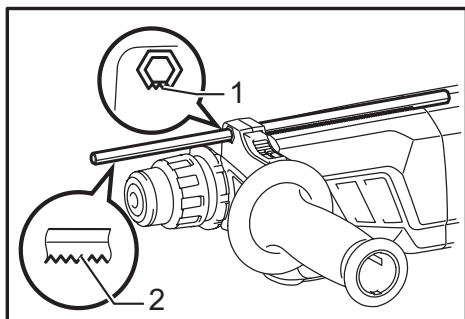
Jauge de profondeur

La jauge de profondeur est pratique pour percer des trous d'une même profondeur.



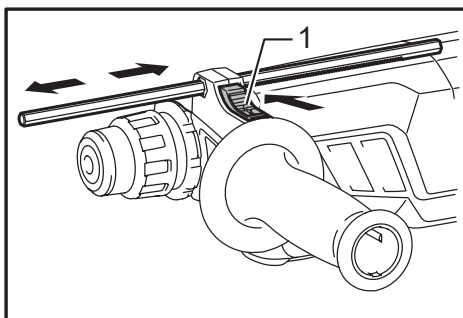
- 1. Base de la poignée 2. Bouton de verrouillage
3. Jauge de profondeur

Appuyez sur le bouton de verrouillage à la base de la poignée dans le sens de la flèche indiqué sur le schéma, et, tout en le maintenant enfoncé, insérez la jauge de profondeur dans l'orifice hexagonal à la base de la poignée.



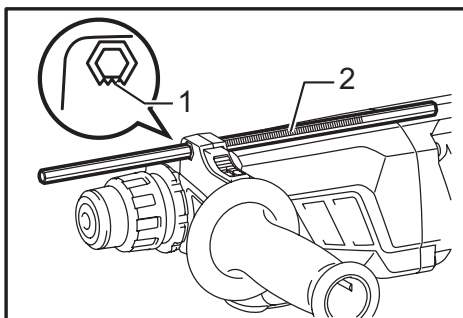
- 1. Marquage du côté cranté de l'orifice hexagonal sur la base de la poignée 2. Côté cranté de la jauge de profondeur

À ce moment-là, la jauge de profondeur doit être insérée de telle sorte que son côté cranté soit dirigé vers le marquage du côté cranté de l'orifice sur la base de la poignée comme indiqué sur le schéma.



- 1. Bouton de verrouillage

Réglez la jauge de profondeur à la profondeur souhaitée en la tirant ou en la poussant tout en appuyant sur le bouton de verrouillage. Une fois le réglage effectué, relâchez le bouton de verrouillage pour verrouiller la jauge de profondeur.

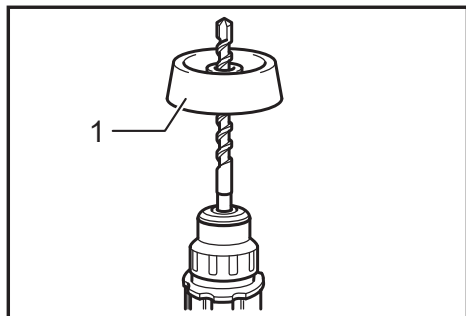


- 1. Marquage du côté cranté de l'orifice hexagonal sur la base de la poignée 2. Côté cranté de la jauge de profondeur

NOTE :

- Si la jauge de profondeur est insérée sans que son côté cranté ne soit dirigé vers le marquage du côté cranté de l'orifice hexagonal à la base de la poignée comme indiqué sur le schéma, alors elle ne pourra pas être verrouillée.

Collecteur de poussières (accessoire en option)



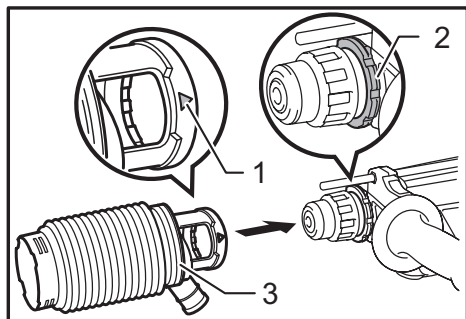
► 1. Collecteur de poussières

Pour éviter que la poussière qui s'échappe du trou ne tombe sur vous lors d'un travail au-dessus de la tête, utilisez le collecteur de poussières. Engagez le collecteur sur le foret comme indiqué sur la figure. La taille de forets qu'il est possible de fixer au collecteur est comme suit.

	Diamètre du foret
Collecteur de poussières 5	6 mm (1/4") - 14,5 mm (9/16")
Collecteur de poussières 9	12 mm (15/32") - 16 mm (5/8")

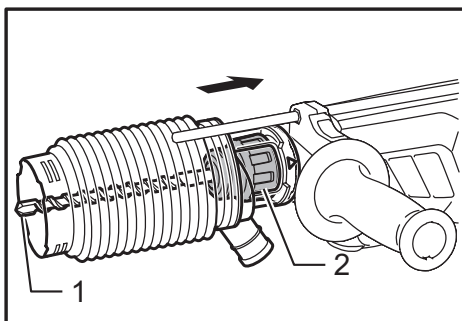
Il existe un autre type de collecteur de poussières (accessoire en option) qui permet d'empêcher la poussière de tomber sur vous et sur l'outil lorsque vous percez un trou au-dessus de votre tête.

Installation ou retrait du collecteur de poussières (accessoire en option)



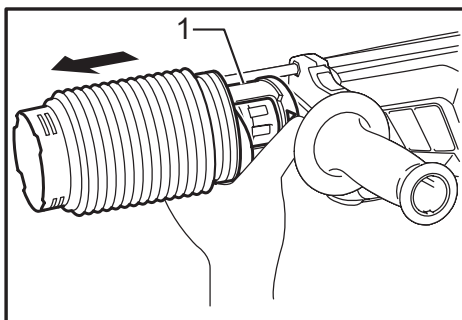
► 1. Δ symbole 2. Rainures 3. Collecteur de poussières

Avant d'installer le collecteur de poussières, retirez le foret de l'outil s'il y en a un. Installez le collecteur de poussières (accessoire en option) sur l'outil de manière à ce que le symbole Δ sur le collecteur de poussières soit aligné avec les rainures de l'outil.



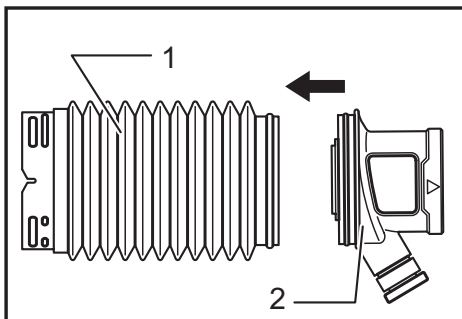
► 1. Embout 2. Couvercle du mandrin

Pour retirer le collecteur de poussières, tirez la protection du mandrin dans la direction indiquée sur le schéma, et, tout en la maintenant tirée, retirez le foret de l'outil.

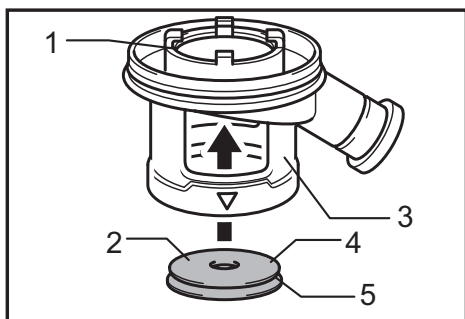


► 1. Dispositif de fixation à la base du collecteur de poussières

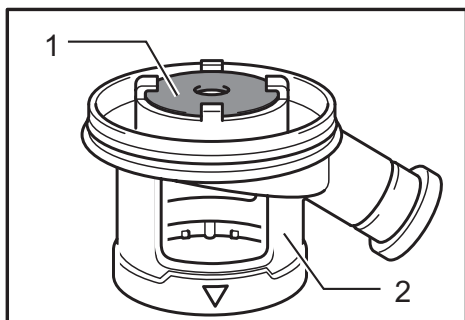
Puis saisissez le dispositif de fixation à la base du collecteur de poussières et retirez-le.



► 1. Soufflet 2. Dispositif de fixation



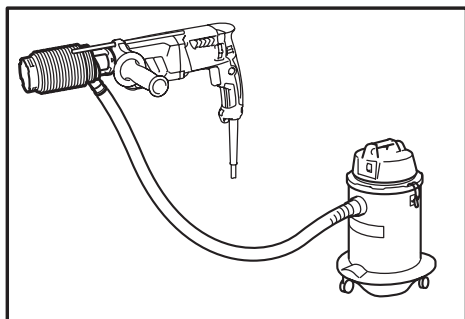
- 1. Bord intérieur 2. Côté plat 3. Dispositif de fixation
4. Bouchon 5. Rainure



- 1. Bouchon 2. Dispositif de fixation

NOTE :

- Lorsque vous installez ou retirez le collecteur de poussières, le couvercle peut s'en détacher. À ce moment-là, procédez comme suit. Retirez le soufflet du dispositif de fixation et placez le couvercle, comme indiqué sur le schéma, côté plat vers le haut de manière à ce que ses rainures s'emboîtent dans le bord intérieur du dispositif de fixation. Pour finir, remontez le soufflet précédemment retiré.



NOTE :

- Si vous raccordez un aspirateur au marteau, vous effectuerez votre travail de façon plus propre. Le couvercle doit être retiré du collecteur de poussières avant le raccordement.

UTILISATION

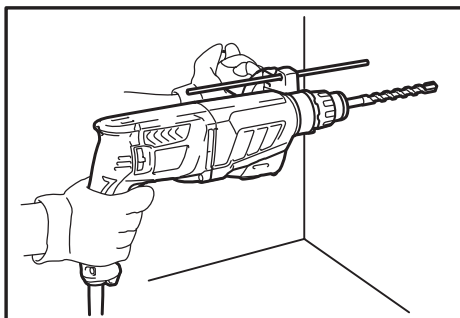
⚠ATTENTION :


- Utilisez toujours la poignée latérale (poignée auxiliaire) et saisissez fermement l'outil par la poignée latérale et la poignée de l'interrupteur pendant l'utilisation.

Perçage avec martelage

⚠ATTENTION :

- Une force énorme s'exerce sur le foret et l'outil lorsque le foret émerge sur la face opposée, lorsque le trou est encombré de copeaux ou de particules, ou lors de la frappe sur des barres d'armature encastrées dans le béton. Utilisez toujours la poignée latérale (poignée auxiliaire) et tenez fermement l'outil par la poignée latérale et par la poignée revolver lors des travaux. Sinon, vous risquez de perdre le contrôle de l'outil et de subir une blessure grave.



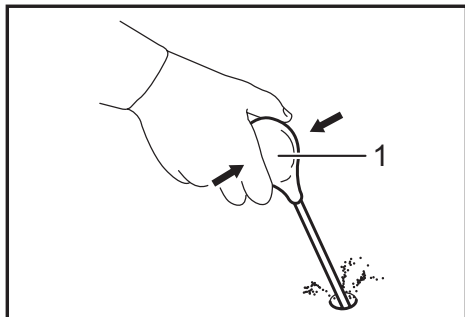
Réglez le bouton de changement de mode sur le symbole .

Posez la pointe du foret à l'emplacement du trou à percer et pressez sur la gâchette. Ne forcez pas sur l'outil. Une pression légère vous donnera les meilleurs résultats. Maintenez bien l'outil en position et veillez qu'il ne dérape pas hors du trou.

N'augmentez pas la pression sur l'outil lorsque le trou est bouché par des copeaux ou des particules. Au contraire, laissez le moteur tourner au ralenti, puis retirez en partie le foret du trou. Si vous répétez cette opération plusieurs fois de suite, le trou se débouchera, et vous pourrez reprendre le perçage normalement.

NOTE : Lorsque l'outil fonctionne à vide, il se peut que le foret tourne de manière excentrique. L'outil se centrera lui-même lors de l'utilisation avec charge. La précision du perçage n'est donc pas affectée.

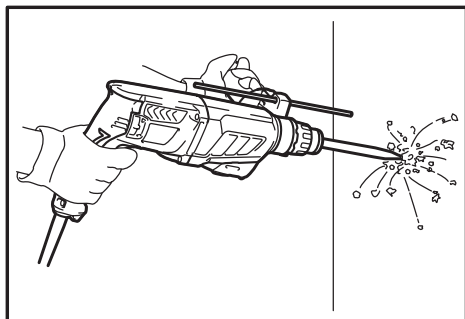
Poire soufflante (accessoire en option)




► 1. Poire soufflante

Une fois le trou percé, utilisez la poire soufflante pour retirer la poussière du trou.

Burinage/Ecaillage/Démolition




Réglez le bouton de changement de mode sur le symbole .

Tenez votre outil fermement à deux mains. Mettez le contact et appliquez une légère pression sur l'outil de façon qu'il ne risque pas de sauter d'un côté ou de l'autre. Appliquer une pression excessive n'augmentera pas l'efficacité de l'opération.

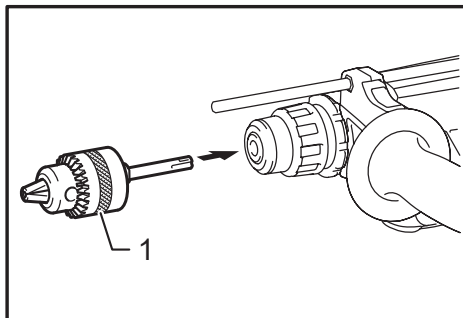
Perçage du bois ou du métal

⚠ ATTENTION :

- N'utilisez jamais la « rotation avec martelage » lorsque le mandrin à adaptateur rapide est posé sur l'outil. Vous risqueriez d'endommager le mandrin à adaptateur rapide. De plus, le mandrin se détacherait lors de l'inversion de l'outil.
- Une pression excessive sur l'outil n'accélère pas le perçage. Au contraire, elle risque d'endommager la pointe du foret, de réduire le rendement de l'outil et donc sa durée de service.
- Une force énorme s'exerce sur le foret et l'outil lorsque le foret émerge sur la face opposée. Tenez l'outil fermement et faites bien attention lorsque le foret commence à sortir de la face opposée de la pièce.
- Un foret coincé peut se retirer en plaçant l'inverseur sur la direction opposée. Il faut alors faire très attention car l'outil risque de reculer brusquement si vous ne le tenez pas fermement.
- Lorsque vous travaillez sur de petites pièces, fixez-les toujours dans un étau ou à l'aide d'un outil de retenue similaire.

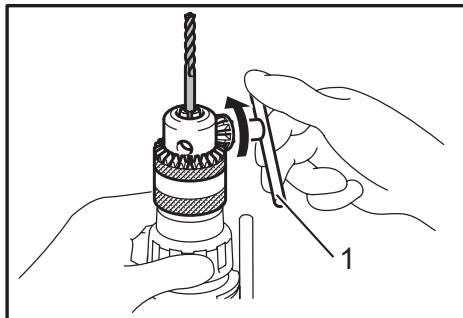
Réglez le bouton de changement de mode sur le symbole . Vous pouvez percer des trous d'un diamètre allant jusqu'à 13 mm dans le métal et jusqu'à 32 mm dans le bois.

Pour les modèles HR2631F, HR2641, HR2630



► 1. Ensemble mandrin (accessoire en option)

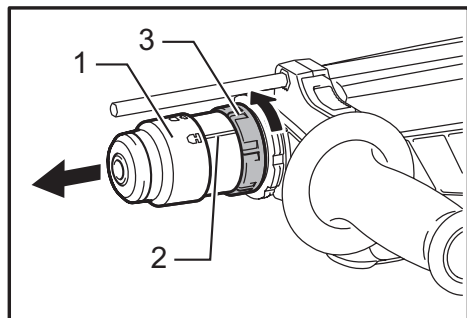
Utilisez l'ensemble de mandrin (accessoire en option). Pour l'installer, reportez-vous à « Installation et retrait du foret », à la page précédente.



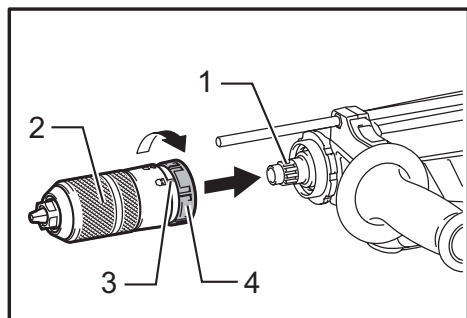
► 1. Clé de mandrin

Pour monter le foret, insérez-le aussi loin que possible dans le mandrin. Serrez le mandrin à la main. Insérez la clé de mandrin dans chacun des trois orifices et serrez dans le sens des aiguilles d'une montre. Veillez à serrer les trois orifices du mandrin de manière égale. Pour retirer le foret, tournez la clé de mandrin dans le sens inverse des aiguilles d'une montre dans un seul orifice, puis desserrez le mandrin à la main.

Pour les modèles HR2631FT, HR2630T

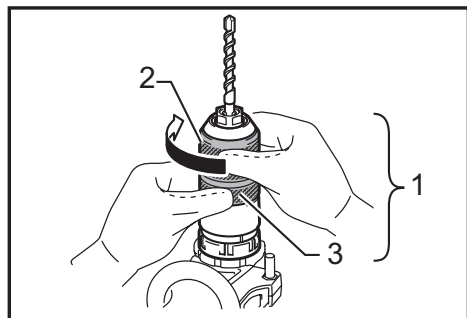


- ▶ 1. Mandrin à adaptateur rapide pour SDS-plus
- 2. Ligne du couvercle adaptateur 3. Couvercle adaptateur



- ▶ 1. Axe 2. Mandrin à adaptateur rapide 3. Ligne du couvercle adaptateur 4. Couvercle adaptateur

Utilisez le mandrin à adaptateur rapide en équipement standard. Pour l'installer, reportez-vous à "Changer le mandrin à adaptateur rapide pour SDS-plus", à la page précédente.



- ▶ 1. Mandrin à adaptateur rapide 2. Manchon
- 3. Bague


Tenez l'anneau et tournez le manchon dans le sens inverse des aiguilles d'une montre pour ouvrir les mâchoires du mandrin. Insérez le foret/l'embout à fond dans le mandrin. Tenez l'anneau fermement et tournez le manchon dans le sens des aiguilles d'une montre pour serrer le mandrin.

Pour retirer le foret/l'embout, tenez l'anneau et tournez le manchon dans le sens inverse des aiguilles d'une montre.

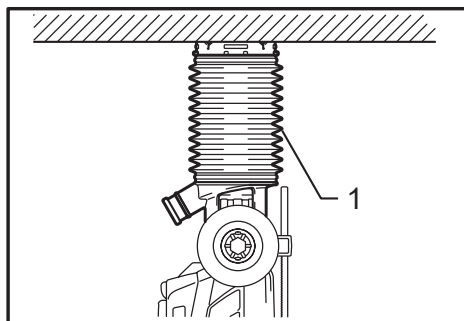
Perforation au diamant

⚠ ATTENTION :

- En cas d'opérations de forage au diamant avec l'action "rotation avec martelage", le foret de diamant peut être endommagé.

Lors d'opérations de perforation au diamant, toujours positionner le levier de changement sur  pour l'action "rotation seulement".

Fonctionnement lors de l'utilisation du collecteur de poussières (accessoire en option)



- ▶ 1. Collecteur de poussières

Utilisez l'outil avec le collecteur de poussières pour percer les plafonds.

NOTE :

- Le collecteur de poussières (accessoire en option) est conçu uniquement pour percer dans les matériaux céramiques tels que le béton et le mortier. N'utilisez pas l'outil avec le collecteur de poussières pour le perçage du métal ou d'un matériau similaire. Utiliser le collecteur de poussières pour le perçage du métal peut l'endommager, car les poussières de métal ou d'un matériau similaire produisent de la chaleur.
- Videz le collecteur de poussières avant de retirer un foret.
- Lorsque vous utilisez le collecteur de poussières, assurez-vous que le couvercle est bien fixé dessus.

ENTRETIEN

⚠ ATTENTION :

- Assurez-vous toujours que l'outil est hors tension et débranché avant d'y effectuer tout travail d'inspection ou d'entretien.
- N'utilisez jamais d'essence, de benzine, de solvant, d'alcool ou d'autres produits similaires. Une décoloration, une déformation, ou la formation de fissures peuvent en découler.

Pour maintenir la SÉCURITÉ et la FIABILITÉ du produit, les réparations, l'inspection et le remplacement des charbons, et tout autre travail d'entretien ou de réglage doivent être effectués dans une usine ou un centre de service après-vente Makita agréé, exclusivement avec des pièces de rechange Makita.

GARANTIE LIMITÉE MAKITA

Pour les conditions de garantie en vigueur qui s'appliquent à ce produit, veuillez vous reporter à la feuille de garantie en annexe. Si la feuille de garantie en annexe n'est pas disponible, reportez-vous aux détails de la garantie présentés sur le site Web de votre pays, ci-dessous.

États-Unis d'Amérique: www.makitatools.com

Canada: www.makita.ca

Autres pays: www.makita.com

ACCESSOIRES EN OPTION

⚠ ATTENTION :

- Ces accessoires ou pièces complémentaires sont recommandés pour l'utilisation avec l'outil Makita spécifié dans ce mode d'emploi. L'utilisation de tout autre accessoire ou pièce complémentaire peut comporter un risque de blessure. N'utilisez les accessoires ou pièces qu'aux fins auxquelles ils ont été conçus.

Si vous désirez obtenir plus de détails concernant ces accessoires, veuillez contacter le centre de service après-vente Makita le plus près.

- Foret à pointe en carbure de tungstène SDS-Plus
- Trépan
- Pointe à béton
- Foret au diamant
- Ciseau à froid
- Ciseau à écailler
- Ciseau à rainure
- Ensemble mandrin
- Mandrin S13
- Adaptateur de mandrin
- Clé à mandrin S13
- Graisse rose
- Poignée latérale
- Jauge de profondeur
- Poire soufflante
- Collecteur de poussières
- Mallette de transport en plastique
- Mandrin auto-serrant

NOTE :

- Certains éléments de la liste peuvent être inclus avec l'outil comme accessoires standard. Ils peuvent varier suivant les pays.

ESPECIFICACIONES

Modelo		HR2631F	HR2631FT	HR2641	HR2630	HR2630T
Especificaciones eléctricas en México		120 V ~ 7,0 A 50/60 Hz		120 V ~ 8,0 A 50/60 Hz	120 V ~ 7,0 A 50/60 Hz	
Capacidades	Concreto	26 mm (1")				
	Corona perforadora	68 mm (2-11/16")				
	Broca de punta de diamante (tipo seco)	80 mm (3-1/8")				
	Acero	13 mm (1/2")				
	Madera	32 mm (1-1/4")				
Velocidad sin carga (RPM)		0 - 1 200 r/min		0 - 1 100 r/min	0 - 1 200 r/min	
Golpes por minuto		0 - 4 600 gpm		0 - 4 500 gpm	0 - 4 600 gpm	
Longitud total		361 mm (14-1/4")	385 mm (15-1/8")	422 mm (16-5/8")	361 mm (14-1/4")	385 mm (15-1/8")
Peso neto		2,9 kg (6,4 lbs)	3,1 kg (6,8 lbs)		2,8 kg (6,2 lbs)	3,0 kg (6,6 lbs)

- Debido a nuestro programa continuo de investigación y desarrollo, las especificaciones aquí dadas están sujetas a cambios sin previo aviso.
- Las especificaciones pueden ser diferentes de país a país.
- Peso de acuerdo al procedimiento de EPTA-01/2003

Advertencias de seguridad generales para herramientas eléctricas

⚠️ ADVERTENCIA: lea todas las advertencias de seguridad e instrucciones. Si no sigue todas las advertencias e instrucciones indicadas a continuación, podrá ocasionar una descarga eléctrica, un incendio y/o lesiones graves.

Guarde todas las advertencias e instrucciones para su futura referencia.

El término "herramienta eléctrica" se refiere, en todas las advertencias que aparecen a continuación, a su herramienta eléctrica de funcionamiento con conexión a la red eléctrica (con cableado eléctrico) o herramienta eléctrica de funcionamiento a batería (inalámbrica).

Seguridad en el área de trabajo

1. **Mantenga el área de trabajo limpia y bien iluminada.** Las áreas oscuras o desordenadas son propensas a accidentes.
2. **No utilice las herramientas eléctricas en atmósferas explosivas, tal como en la presencia de líquidos, gases o polvo inflamables.** Las herramientas eléctricas crean chispas que pueden prender fuego al polvo o los humos.
3. **Mantenga a los niños y curiosos alejados mientras utiliza una herramienta eléctrica.** Las distracciones le pueden hacer perder el control.

Seguridad eléctrica

4. **Las clavijas de conexión de las herramientas eléctricas deberán encajar perfectamente en la toma de corriente. No modifique nunca la clavija de conexión de ninguna forma. No utilice ninguna clavija adaptadora con herramientas eléctricas que tengan conexión a tierra (puesta a tierra).** La utilización de clavijas no modificadas y que encajen perfectamente en la toma de corriente reducirá el riesgo de que se produzca una descarga eléctrica.
5. **Evite tocar con el cuerpo superficies conectadas a tierra o puestas a tierra tales como tubos, radiadores, cocinas y refrigeradores.** Si su cuerpo es puesto a tierra o conectado a tierra existirá un mayor riesgo de que sufra una descarga eléctrica.
6. **No exponga las herramientas eléctricas a la lluvia ni a condiciones húmedas.** La entrada de agua en una herramienta eléctrica aumentará el riesgo de que se produzca una descarga eléctrica.
7. **No jale el cable. Nunca utilice el cable para transportar, jalar o desconectar la herramienta eléctrica.** Mantenga el cable alejado del calor, aceite, objetos cortantes o piezas móviles. Los cables dañados o atrapados aumentan el riesgo de sufrir una descarga eléctrica.
8. **Cuando utilice una herramienta eléctrica en exteriores, utilice un cable de extensión apropiado para uso en exteriores.** La utilización de un cable apropiado para uso en exteriores reducirá el riesgo de que se produzca una descarga eléctrica.

9. **Si no es posible evitar usar una herramienta eléctrica en condiciones húmedas, utilice un alimentador protegido con interruptor de circuito de falla en tierra (ICFT).** El uso de un ICFT reduce el riesgo de descarga eléctrica.

Seguridad personal

10. **Manténgase alerta, preste atención a lo que está haciendo y utilice su sentido común cuando opere una herramienta eléctrica. No utilice la herramienta eléctrica cuando esté cansado o bajo la influencia de drogas, alcohol o medicamentos.** Un momento de distracción mientras opera la máquina puede dar como resultado heridas personales graves.
11. **Use equipo de protección personal. Póngase siempre protección para los ojos.** El equipo protector tal como máscara contra el polvo, zapatos de seguridad antiderrapantes, casco rígido y protección para oídos utilizado en las condiciones apropiadas reducirá las heridas personales.
12. **Impida el incendio accidental. Asegúrese de que el interruptor esté en la posición de apagado antes de conectar a la alimentación eléctrica y/o de colocar el cartucho de la batería, así como al levantar o cargar la herramienta.** Cargar las herramientas eléctricas con su dedo en el interruptor o conectarlas con el interruptor encendido hace que los accidentes sean propensos.
13. **Retire cualquier llave de ajuste o llave de apriete antes de encender la herramienta.** Una llave de ajuste o llave de apriete que haya sido dejada puesta en una parte giratoria de la herramienta eléctrica podrá resultar en heridas personales.
14. **No utilice la herramienta donde no alcance. Mantenga los pies sobre suelo firme y el equilibrio en todo momento.** Esto permite un mejor control de la herramienta eléctrica en situaciones inesperadas.
15. **Use vestimenta apropiada. No use ropas sueltas ni joyas. Mantenga el cabello, la ropa y los guantes alejados de las partes móviles,** ya que pueden ser atrapadas por estas partes en movimiento.
16. **Si dispone de dispositivos para la conexión de equipos de extracción y recolección de polvo, asegúrese de conectarlos y utilizarlos debidamente.** La utilización de estos dispositivos reduce los riesgos relacionados con el polvo.

Mantenimiento y uso de la herramienta eléctrica

17. **No fuerce la herramienta eléctrica. Utilice la herramienta eléctrica correcta para su aplicación.** La herramienta eléctrica adecuada hará un trabajo mejor a la velocidad para la que ha sido fabricada.
18. **No utilice la herramienta eléctrica si el interruptor no la enciende y apaga.** Cualquier herramienta eléctrica que no pueda ser controlada con el interruptor es peligrosa y debe ser reemplazada.
19. **Desconecte la clavija de la fuente de energía y/o la batería de la herramienta eléctrica antes de realizar ajustes, cambiar accesorios o guardar las herramientas eléctricas.** Dichas medidas de seguridad preventivas reducen el riesgo de que la herramienta se inicie accidentalmente.

20. **Guarde la herramienta eléctrica que no use fuera del alcance de los niños y no permita que las personas que no están familiarizadas con ella o con las instrucciones la operen.** Las herramientas eléctricas son peligrosas en manos de personas que no saben operarlas.
21. **Realice el mantenimiento a las herramientas eléctricas. Compruebe que no haya partes móviles desalineadas o estancadas, piezas rotas y cualquier otra condición que pueda afectar al funcionamiento de la herramienta eléctrica. Si la herramienta eléctrica está dañada, haga que se la reparen antes de utilizarla.** Muchos accidentes son ocasionados por herramientas eléctricas con un mal mantenimiento.
22. **Mantenga las herramientas de corte limpias y filosas.** Si recibe un mantenimiento adecuado y tiene los bordes afilados, es probable que la herramienta se atasque menos y sea más fácil controlarla.
23. **Utilice la herramienta eléctrica, así como accesorios, piezas, brocas, etc. de acuerdo con estas instrucciones y de la manera establecida para cada tipo de unidad en particular; tenga en cuenta las condiciones laborales y el trabajo a realizar.** Si utiliza la herramienta eléctrica para realizar operaciones distintas de las indicadas, podrá presentarse una situación peligrosa.

Servicio de mantenimiento

24. **Haga que una persona calificada repare la herramienta utilizando sólo piezas de repuesto idénticas.** Esto asegura que se mantenga la seguridad de la herramienta eléctrica.
25. **Siga las instrucciones para la lubricación y cambio de accesorios.**
26. **Mantenga las agarraderas secas, limpias y sin aceite o grasa.**

UTILICE CABLES DE EXTENSIÓN APROPIADOS. Asegúrese de que su cable de extensión esté en buenas condiciones. Cuando utilice un cable de extensión, asegúrese de utilizar uno del calibre suficiente para conducir la corriente que demande el producto. Un cable de calibre inferior ocasionará una caída en la tensión de línea y a su vez en una pérdida de potencia y sobrecalentamiento. La Tabla 1 muestra la medida correcta a utilizar dependiendo de la longitud del cable y el amperaje nominal indicado en la placa de características. Si no está seguro, utilice el siguiente calibre más alto. Cuanto menor sea el número de calibre, más corriente podrá conducir el cable.

Tabla 1. Calibre mínimo para el cable

Amperaje nominal		Volts	Longitud total del cable en metros			
		120V~	7,6 m (25 ft)	15,2 m (50 ft)	30,4 m (100 ft)	45,7 m (150 ft)
		220V~ - 240V~	15,2 m (50 ft)	30,4 m (100 ft)	60,8 m (200 ft)	91,2 m (300 ft)
Más de	No más de	Calibre del cable (AWG)				
0 A	6 A	/	18	16	16	14
6 A	10 A		18	16	14	12
10 A	12 A		16	16	14	12
12 A	16 A		14	12	No se recomienda	

ADVERTENCIA DE SEGURIDAD PARA USO DEL MARTILLO ROTATIVO

1. **Utilice protectores para oídos.** La exposición al ruido puede causar la pérdida auditiva.
2. **Utilice el/los mango(s) auxiliar(es) si es que se incluye(n) en la herramienta.** Una pérdida del control puede ocasionar lesiones personales.
3. **Cuando realice una operación donde el accesorio de corte pueda entrar en contacto con cableado oculto o con su propio cable, sujete la herramienta eléctrica por las superficies de aislamiento aisladas.** Si el accesorio giratorio hace contacto con un cable con corriente, las piezas metálicas expuestas de la herramienta eléctrica se electrificarán también y el operador puede recibir una descarga.
4. **Utilice un casco protector (de seguridad), gafas de seguridad y/o máscara protectora. Los anteojos comunes o para el sol NO son gafas de seguridad. También se recomienda usar una mascarilla para protegerse del polvo y guantes bien acolchados.**
5. **Asegúrese de que la broca se encuentre fija en su lugar antes de su funcionamiento.**
6. **En condiciones normales de funcionamiento, la herramienta está diseñada para producir vibración. Los tornillos pueden aflojarse fácilmente y causar una falla o accidente. Verifique cuidadosamente si los tornillos están ajustados antes de poner en funcionamiento la herramienta.**
7. **En clima frío o cuando la herramienta no haya sido utilizada durante largo tiempo, deje calentar la herramienta durante un rato haciéndola funcionar sin carga. Esto agilizará la lubricación. Sin un calentamiento apropiado, la operación de percusión resultará difícil de realizar.**
8. **Asegúrese siempre de que pisa sobre suelo firme. Asegúrese de que no haya nadie debajo cuando utilice la herramienta en lugares altos.**
9. **Sujete la herramienta firmemente con ambas manos.**
10. **Mantenga las manos alejadas de las partes móviles.**
11. **No deje la herramienta en marcha. Tenga en marcha la herramienta solamente cuando la tenga en la mano.**




12. **No apunte a ninguna persona cercana con la herramienta cuando la opere. La broca puede salir volando y herir a alguien de gravedad.**
13. **No toque la broca o las partes cercanas a ella inmediatamente después de operar la herramienta puesto que pueden estar calientes y quemarle la piel.**
14. **Algunos materiales contienen sustancias químicas que pueden ser tóxicas. Tome precauciones para evitar la inhalación de polvo o que éste tenga contacto con la piel. Consulte la información de seguridad del proveedor de los materiales.**

GUARDE ESTAS INSTRUCCIONES.

⚠ADVERTENCIA: NO DEJE que la comodidad o familiaridad con el producto (a base de utilizarlo repetidamente) sustituya la estricta observancia de las normas de seguridad para dicho producto. El MAL USO o el no seguir las normas de seguridad establecidas en este manual de instrucciones puede ocasionar graves lesiones personales.

Símbolos

A continuación se muestran los símbolos utilizados para la herramienta.

v	volts o voltios
A	ampere o ampérigo
Hz	hertz o hercios
	corriente alterna
n.	velocidad en vacío o sin carga
	Construcción clase II
... /min r /min	revoluciones o alternaciones por minuto, frecuencia de rotación.
	número de percusiones

DESCRIPCIÓN DEL FUNCIONAMIENTO

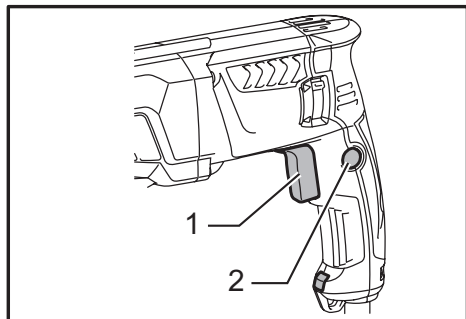
⚠PRECAUCIÓN:

- Asegúrese siempre de que la herramienta esté apagada y desconectada antes de ajustar o comprobar cualquier función en la misma.

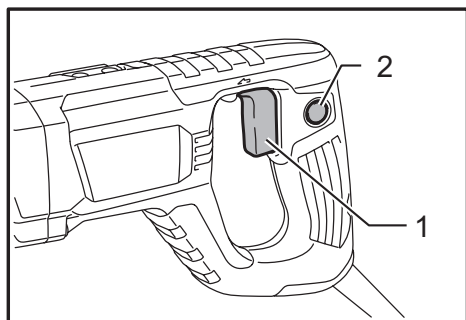
Accionamiento del interruptor

⚠PRECAUCIÓN:

- Antes de conectar la herramienta, compruebe siempre que el gatillo interruptor se acciona debidamente y que vuelve a la posición "OFF" (apagado) cuando lo suelta.



► 1. Gatillo interruptor 2. Botón de bloqueo



► 1. Gatillo interruptor 2. Botón de bloqueo

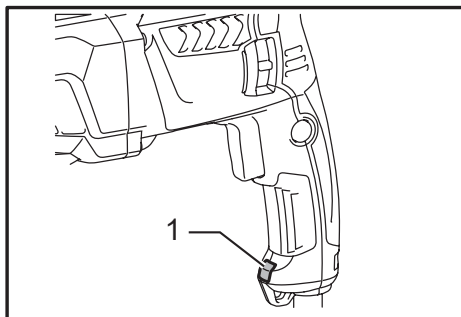
Para iniciar la herramienta, sólo tiene que jalar el gatillo interruptor. La velocidad de la herramienta aumenta al incrementar la presión en el gatillo interruptor. Suelte el gatillo interruptor para detener la herramienta. Si desea que funcione en forma constante, accione el gatillo interruptor, presione el botón de bloqueo (traba) y luego suelte el gatillo. Para desbloquear la herramienta, jale el gatillo interruptor por completo y luego suéltelo.

Encendido de la lámpara

Para modelo HR2631F, HR2631FT

⚠PRECAUCIÓN:

- No mire a la luz ni vea la fuente de luz directamente.



► 1. Lámpara

Para encender la lámpara, apriete el gatillo. Suelte el gatillo para apagarla.

NOTA:

- Utilice un paño seco para quitar la suciedad de la lente de la lámpara. Tenga cuidado de no rayar la lente de la lámpara, porque podrá disminuir la iluminación.
- No utilice tiner ni gasolina para limpiar la luz indicadora. Estas solventes podrían dañarla.

Accionamiento del conmutador de inversión de giro

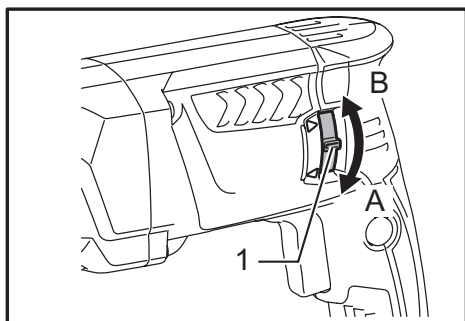
⚠PRECAUCIÓN:

- Confirme siempre la dirección de giro antes de la operación.
- Utilice el conmutador de inversión solamente después de que la herramienta haya parado completamente. Si cambia la dirección de giro antes de que la herramienta haya parado podrá dañarla.

Para modelo HR2631F, HR2631FT, HR2630, HR2630T

⚠PRECAUCIÓN:

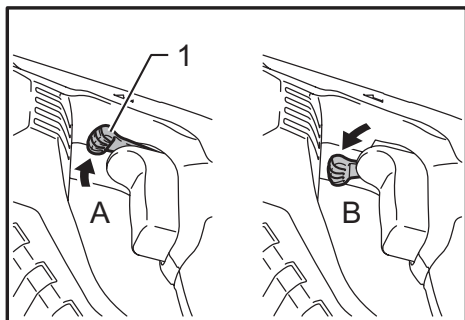
- Si el gatillo interruptor no puede presionarse, revise que el conmutador de inversión esta completamente puesto ya sea en la posición ◀ (lado A) o en ▶ (lado B).



► 1. Palanca del conmutador de inversión de giro

Esta herramienta cuenta con un conmutador de inversión de giro para cambiar la dirección de rotación. Mueva la palanca del conmutador de inversión hacia la posición ◀ (lado A) para girar hacia la derecha o hacia la posición ▶ (lado B) para girar hacia a la izquierda.

Para modelo HR2641



► 1. Palanca del conmutador de inversión de giro

NOTA:

- Cuando accione la herramienta en el sentido contrario al de las agujas del reloj, el interruptor gatillo se pulsa sólo la mitad y la herramienta funciona entonces a velocidad media. En este tipo de rotación, no se puede trabar la herramienta.

Esta herramienta cuenta con un conmutador de inversión de giro para cambiar la dirección de rotación. Mueva la palanca del conmutador de inversión hacia la posición ◀ (lado A) para girar hacia la derecha o hacia la posición ▶ (lado B) para girar hacia a la izquierda.

Cambio del mandril de cambio rápido para SDS-plus

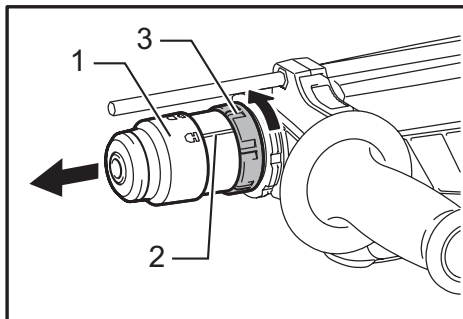
Para modelo HR2631FT, HR2630T

El mandril de cambio rápido para SDS-plus puede intercambiarse fácilmente por el mandril de cambio rápido convencional.



Extracción del mandril de cambio rápido para SDS-plus

⚠PRECAUCIÓN:

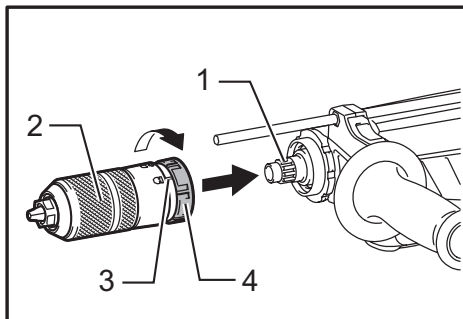
- Antes de quitar el mandril de cambio rápido para SDS-plus, siempre quite el cincel/broca.





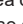
► 1. Mandril de cambio rápido para SDS-plus 2. Línea de cubierta de cambio 3. Cubierta de cambio

Sujete la cubierta de cambio de cubierta del mandril de cambio rápido para SDS-plus y gírela en dirección de la flecha hasta que la línea de la cubierta de cambio se desplace del símbolo  al símbolo . Jale la herramienta hacia la dirección de la flecha.

Colocación del mandril de cambio rápido convencional.



► 1. Eje 2. Mandril de cambio rápido 3. Línea de cubierta de cambio 4. Cubierta de cambio

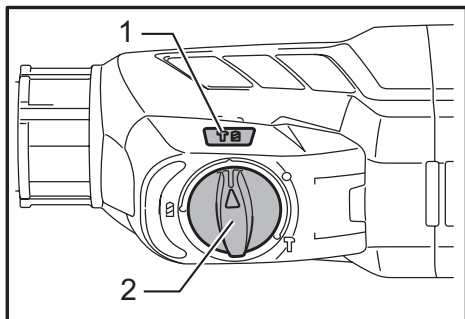
Compruebe que la línea del mandril de cambio rápido muestre el símbolo . Sujete la cubierta de cambio del mandril de cambio rápido y ajuste la línea al símbolo . Coloque el mandril de cambio rápido en el eje de la herramienta. Sujete la cubierta de cambio del mandril de cambio rápido y gire la línea de la cubierta de cambio al símbolo  hasta que se escuche un clic con claridad.

Selección del modo de accionamiento

⚠ PRECAUCIÓN:

- No gire la perilla que cambia el modo de acción cuando la herramienta está en ejecución, ya que puede dañarse.
- Para evitar el desgaste rápido del mecanismo de cambio modo, asegúrese de que la perilla que cambia el modo de accionamiento se encuentre siempre ubicada positivamente en una de las tres posiciones del modo acción.

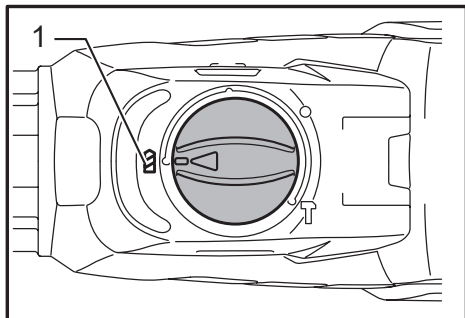
Rotación de martillo



- 1. Rotación con martilleo 2. Perilla que cambia el modo de acción

Para taladrar en concreto, mampostería, etc., gire la perilla que cambia del modo de accionamiento al símbolo . Use una broca con punta de carburo de tungsteno.

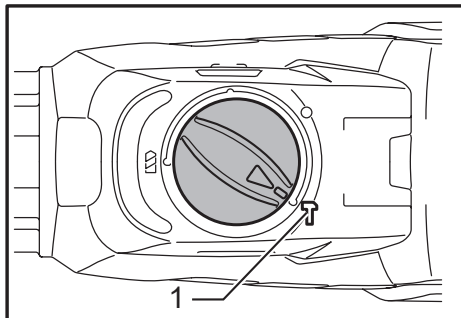
Acción de rotación solamente.



- 1. Rotación solamente

Para taladrar madera, metal o plástico, gire la perilla que cambia el modo de accionamiento al símbolo . Utilice una broca para madera o una espiral.

Acción de martillo solamente



- 1. Martilleo solamente

Para operaciones de desportillar, descamar o demoler, gire la perilla de cambio del modo de accionamiento al símbolo . Utilice un cincel de punta, cincel, formón, etc.

Limitador de torsión

⚠ PRECAUCIÓN:

- Si no se acciona bien el limitador de torsión, apague de inmediato la herramienta. De esta manera, evitará el desgaste prematuro de la misma.
- Los útiles tales como las brocas sierra, las cuales tienden a taladrar o a traspasar fácilmente los orificios, no son adecuadas para esta herramienta. Esto es debido a que provocarán que el limitador de torsión se accione con demasiada frecuencia.

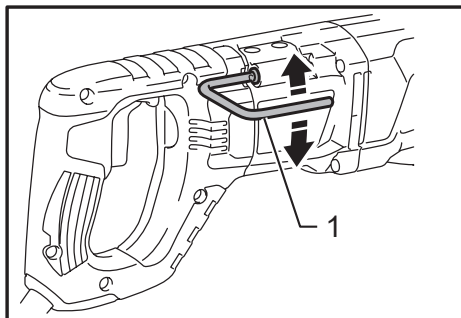
El limitador de torsión se accionará cuando se llega a un determinado nivel de torsión. El motor se desengancha del eje de salida y cuando esto sucede la broca deja de girar.

Gancho

Para modelo HR2641

⚠ PRECAUCIÓN:

- Nunca enganche la herramienta en un lugar elevado o en una superficie potencialmente inestable.



- 1. Gancho

El gancho es conveniente para cuando desea colgar la herramienta temporalmente. Para usar la herramienta, simplemente levante el gancho hasta que chasque en posición abierta.

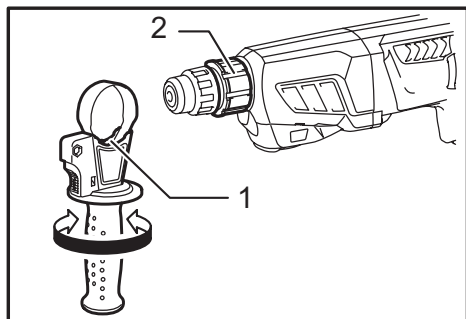
Cuando no esté en uso, baje siempre el gancho hasta que chasque en la posición cerrada.

ENSAMBLE

⚠ PRECAUCIÓN:

- Asegúrese siempre de que la herramienta esté apagada y desconectada antes de realizar cualquier trabajo en la misma.

Empuñadura lateral (auxiliar)



- 1. Protuberancias 2. Ranuras

⚠ PRECAUCIÓN:

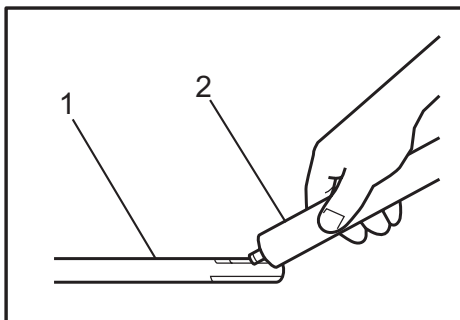
- Utilice siempre la empuñadura lateral para asegurarse de que opera la herramienta en forma segura.

Instale la empuñadura lateral de modo que las protuberancias encajen entre las ranuras del cilindro de la herramienta. Luego, apriete la empuñadura girándola hacia la derecha hasta la posición deseada. Puede girarse 360° para que quede fija en cualquier posición.

Grasa para brocas

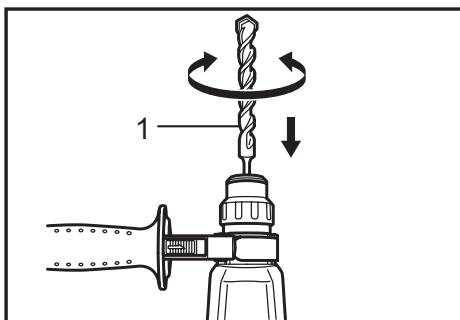
Recubra de antemano la cabeza del zanco de la broca con una pequeña cantidad de grasa (unos 0,5 - 1 g). Esta lubricación del mandril garantiza un accionamiento más fácil y una vida útil más larga de la herramienta.

Instalación o extracción de la punta



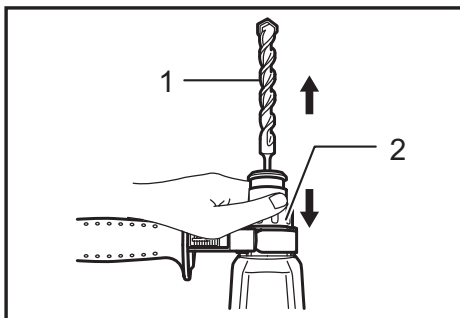
- 1. Zanco de la broca/cinzel 2. Grasa para broca/cinzel

Limpie el zanco del cinzel/broca y aplíquelo grasa antes de instalarlo.



- 1. Punta de atornillar

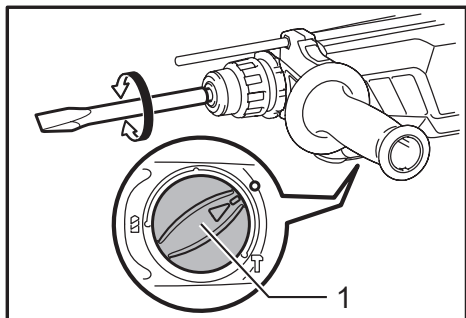
Inserte la broca o el cinzel en la herramienta. Gírelo y presiónelo hacia dentro hasta que quede encajado. Después de la instalación, asegúrese siempre de que esté bien sujeto en el mandril intentando sacarlo.



- 1. Punta de atornillar 2. Cubierta del mandril

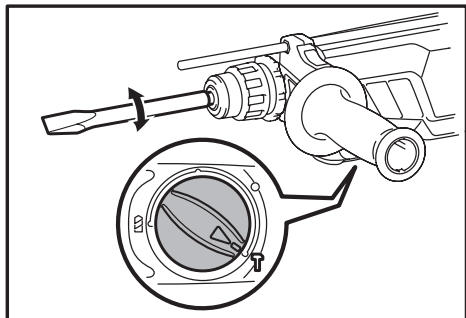
Para retirar la broca/cinzel, jale hacia abajo la cubierta del mandril y empuje la broca/cinzel hacia el exterior.

Ángulo de cincel (al cortar, demoler o tallar)



► 1. Perilla que cambia el modo de acción

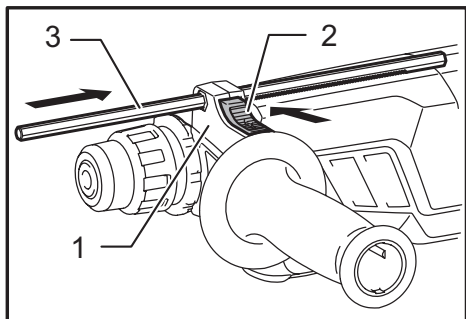
El cincel puede colocarse en el ángulo que se desee. Para cambiar el ángulo del cincel, gire la perilla de cambio de accionamiento al símbolo **O**. Gire el cincel al ángulo deseado.



Ajuste la perilla que cambia el modo de accionamiento al símbolo **T**. Luego, asegúrese de que el cincel esté bien sujeto en su lugar, girándolo ligeramente.

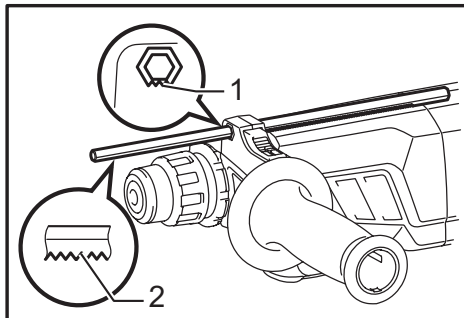
Calibrador de profundidad

El calibrador de profundidad sirve para taladrar orificios de profundidad uniforme.



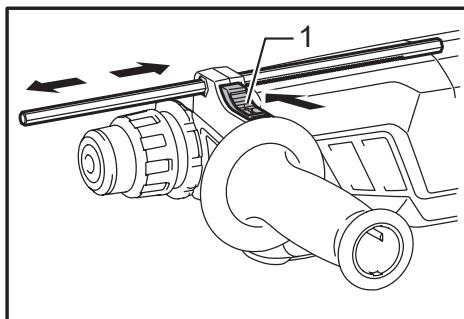
► 1. Base de la empuñadura 2. Botón de bloqueo 3. Calibrador de profundidad

Presione el botón de bloqueo (traba) sobre la base de la empuñadura hacia la dirección indicada por la flecha como se ilustra en la figura, y mientras presiona el botón de bloqueo inserte el calibrador de profundidad en el orificio hexagonal de la base de la empuñadura.



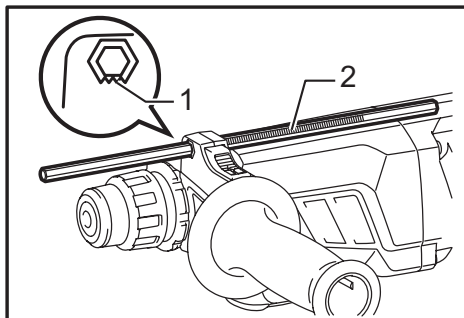
► 1. Marca del lado dentado del orificio hexagonal de la base de la empuñadura 2. Lado dentado del calibrador de profundidad

En este momento, el calibrador de profundidad requiere insertarse de tal forma que su lado dentado esté orientado con la marca del lado dentado del orificio hexagonal de la base de la empuñadura, como se ilustra en la figura.



► 1. Botón de bloqueo

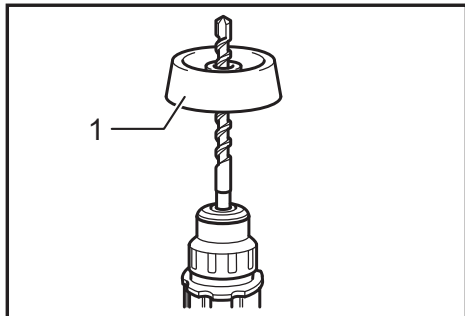
Ajuste el calibrador de profundidad a la profundidad deseada al moverlo hacia adelante y hacia atrás mientras presiona el botón de bloqueo. Tras el ajuste, libere el botón de bloqueo para fijar el calibrador de profundidad.



► 1. Marca del lado dentado del orificio hexagonal de la base de la empuñadura 2. Lado dentado del calibrador de profundidad

NOTA:

- La inserción del calibrador de profundidad sin que su lado dentado quede directamente orientado con la marca del lado dentado del orificio hexagonal de la base de la empuñadura, como se ilustra en la figura, no permitirá que el calibrador de profundidad pueda fijarse.

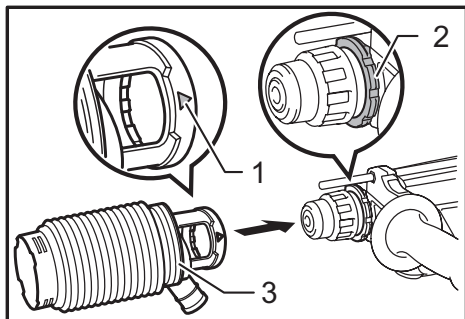
Contenedor de polvo (opcional)

► 1. Contenedor de polvo

Utilice el contenedor de polvo y evite así que el polvo caiga sobre la herramienta o sobre usted cuando realice perforaciones arriba de usted. Adhiera el contenedor de polvo a la broca como se muestra en la figura. La medida de las brocas a la que puede fijarse el contenedor de polvo es de la siguiente manera.

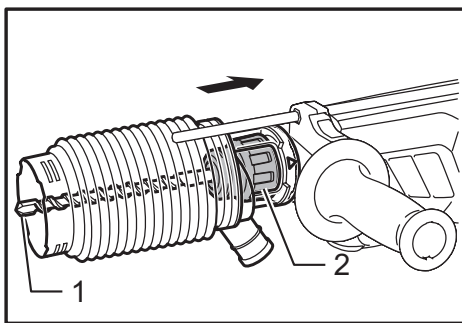
	Diámetro de la broca
Contenedor de polvo 5	6 mm (1/4") - 14,5 mm (9/16")
Contenedor de polvo 9	12 mm (15/32") - 16 mm (5/8")

Hay otro tipo de contenedor de polvo (accesorio opcional) el cual es útil para prevenir que el polvo caiga sobre la herramienta y sobre usted al estar realizando operaciones de taladrar por encima de su cabeza.

Instalación o desmontaje de la cubierta para el contenedor de polvo (Accesorio opcional)

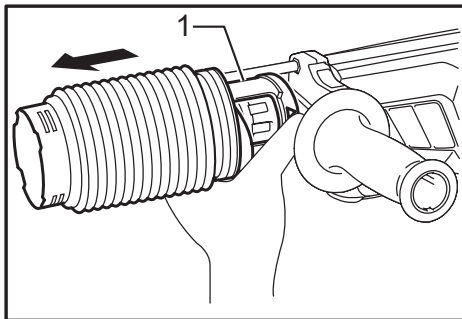
► 1. △ símbolo 2. Ranuras 3. Contenedor de polvo

Antes de colocar el contenedor de polvo, retire la broca de la herramienta si es que se encuentra instalada. Coloque el contenedor de polvo (accesorio opcional) sobre la herramienta de tal forma que el símbolo △ del contenedor de polvo se encuentre alineado con las ranuras en la herramienta.



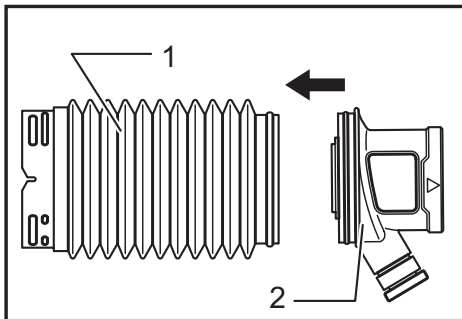
► 1. Punta de atornillar 2. Cubierta del mandril

Para quitar contenedor de polvo, jale la cubierta del mandril hacia la dirección que se ilustra en la figura y mientras lo hace, retire la broca de la herramienta.

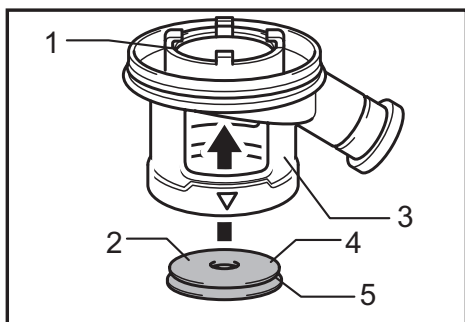


► 1. Fijación sobre la base del contenedor de polvo

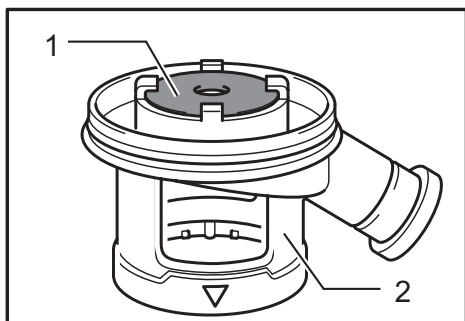
Luego sujete el contenedor por su base, y sáquelo.



► 1. Fuelles 2. Aditamento



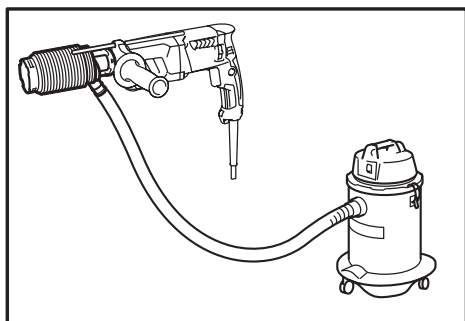
- 1. Circunferencia interior 2. Lado plano
3. Aditamento 4. Tapa 5. Ranura



- 1. Tapa 2. Aditamento

NOTA:

- Al colocar o quitar el contenedor de polvo, puede que la tapadera de éste se desprenda. En este caso, proceda de la siguiente manera. Quite los fuelles del aditamento y encaje la tapadera desde el lado que se muestra en la figura con su lado plano orientado hacia arriba de tal forma que la ranura de la tapadera encaje en el interior de la circunferencia del aditamento. Al final, coloque los fuelles que fueron previamente retirados.



NOTA:

- Si conecta una aspiradora a su martillo, se podrán realizar operaciones con mayor limpieza. Es necesario quitar la tapadera del contenedor de polvo antes de su colocación.

OPERACIÓN

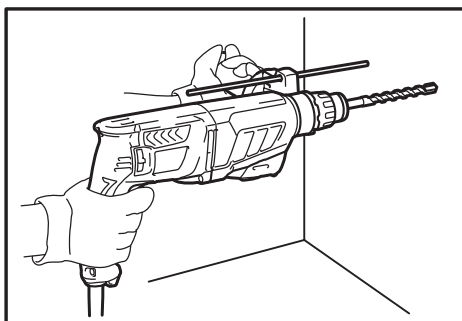
⚠PRECAUCIÓN:


- Utilice siempre la empuñadura lateral (auxiliar) y sujete la herramienta firmemente de la empuñadura lateral y auxiliar durante las operaciones.

Operación de taladrado con percusión

⚠PRECAUCIÓN:

- En el momento de comenzar a penetrar, cuando se satura el agujero con virutas y partículas, o cuando se topa contra varillas de refuerzo de hormigón armado, se ejerce una tremenda y repentina fuerza de torsión sobre la herramienta/broca. Utilice siempre la empuñadura lateral (empuñadura auxiliar) y sujete la herramienta firmemente por la empuñadura lateral y empuñadura del interruptor durante las operaciones. En caso contrario podrá resultar en la pérdida del control de la herramienta y posiblemente graves heridas.

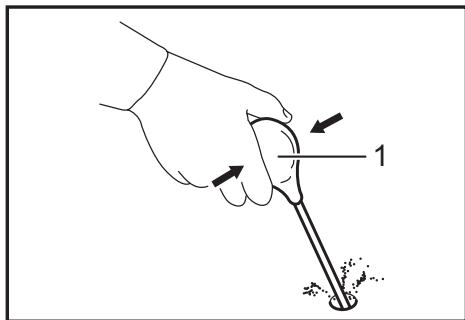


Ajuste la perilla que cambia el modo de accionamiento al símbolo .

Coloque la broca en el lugar donde desee hacer el agujero y a continuación apriete el gatillo interruptor. No force la herramienta. Los mejores resultados se obtienen con una ligera presión. Mantenga la herramienta en posición y evite que se deslice y salga del agujero. No aplique más presión cuando el agujero se sature con fragmentos o partículas. En su lugar, haga funcionar la herramienta sin ejercer presión, y después saque parcialmente la broca del agujero. Repitiendo esto varias veces, se limpiará el agujero y podrá reanudarse la perforación normal.

NOTA: Puede ocurrir el descentramiento de la rotación de la broca al operar la herramienta sin carga. La herramienta se centra sola automáticamente durante su operación y esto no afecta la precisión de la perforación.

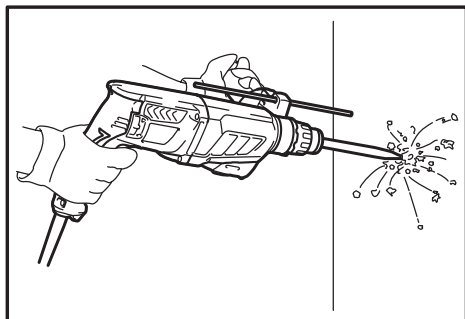
Soplador (Accesorio opcional)




► 1. Soplador

Después de taladrar el agujero, utilice el soplador para limpiar el polvo del agujero.

Cincelado/Tallado/Demolición




Fije la perilla que cambia el modo de accionamiento al símbolo .

Sostenga la herramienta firmemente con ambas manos. Encienda la herramienta y aplique una leve presión sobre ésta para evitar que la herramienta rebote sin control. Hacer una presión excesiva con la herramienta no mejorará la eficiencia.

Perforación de madera y metal

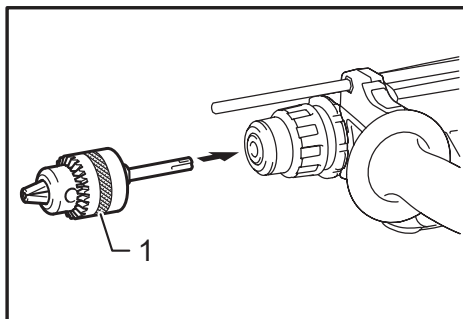
⚠PRECAUCIÓN:

- Nunca utilice la acción de "rotación con martilleo" cuando el mandril de cambio rápido esté instalado en la herramienta. Puede que el mandril de cambio rápido esté dañado. También, el mandril de cambio rápido se saldrá al invertir la herramienta.
- Con ejercer una presión excesiva sobre la herramienta no conseguirá taladrar más rápido. De hecho, esta presión excesiva sólo servirá para dañar la punta de la broca, disminuir el rendimiento de la herramienta y acortar su vida de servicio.
- Se ejerce una tremenda fuerza de torsión en la broca/herramienta en el momento de pasar por el orificio. Sostenga firmemente la herramienta y tenga cuidado cuando la broca comience a romper la pieza de trabajo.
- Una broca atorada podrá extraerse simplemente poniendo el conmutador de inversión en giro contrario para que retroceda. Sin embargo, la herramienta podrá retroceder bruscamente si no la sujeta firmemente.
- Sujete siempre las piezas de trabajo pequeñas en un taburete o sujetador de herramientas similar.

Fije la perilla que cambia el modo de accionamiento al símbolo .

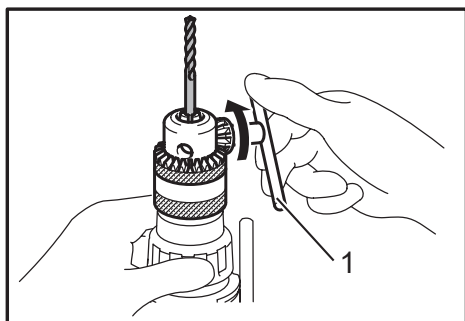
Puede perforar hasta 13 mm de diámetro en metal y hasta 32 mm de diámetro en madera.

Para modelo HR2631F, HR2641, HR2630



► 1. Montaje de mandril (accesorio opcional)

Utilice el montaje de mandril (accesorio opcional). Al instalarlo, consulte la sección "Instalación o extracción de la punta", que aparece en la página anterior.

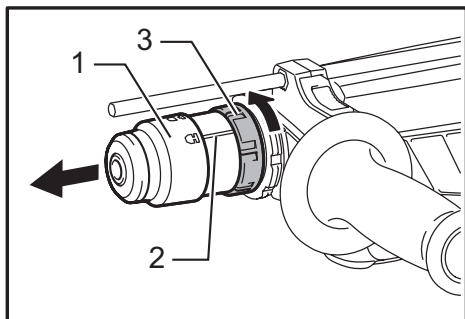


► 1. Llave de mandril

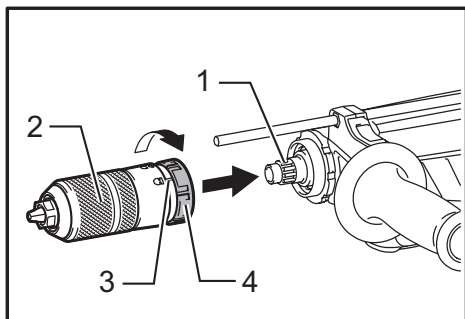
Para instalar la broca, colóquela en el mandril tan a fondo como sea posible. Apriete el mandril a mano. Coloque la llave del mandril en cada uno de los tres orificios para apretar en dirección de las manecillas del reloj. Asegúrese de apretar los tres orificios del mandril uniformemente.

Para desinstalar la broca, gire la llave del mandril en dirección contraria a las manecillas del reloj en sólo uno de los orificios, y luego afloje el mandril a mano.

Para modelo HR2631FT, HR2630T

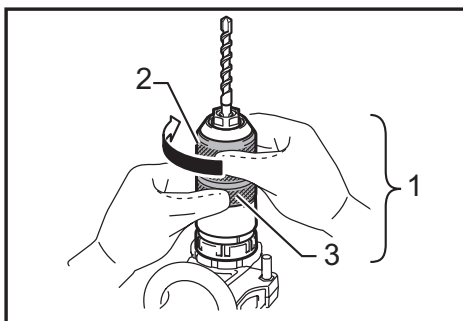


► 1. Mandril de cambio rápido para SDS-plus 2. Línea de cubierta de cambio 3. Cubierta de cambio



► 1. Eje 2. Mandril de cambio rápido 3. Línea de cubierta de cambio 4. Cubierta de cambio

Use el mandril de cambio rápido como el equipo estándar. Al instalarlo, consulte "Cambio del mandril de cambio rápido para SDS-plus" que se ha mencionado anteriormente.



► 1. Mandril de cambio rápido 2. Base de mandril 3. Anillo


Sostenga el mandril por la base y gire el anillo de ajuste en dirección contraria a las manecillas del reloj para abrir las mordazas. Coloque la broca en el mandril tan a fondo como sea posible. Sostenga la base firmemente y gire el anillo en dirección de las agujas del reloj para apretar el mandril.

Para desinstalar la broca, sostenga el aro y gire la funda en dirección contraria a las agujas del reloj.

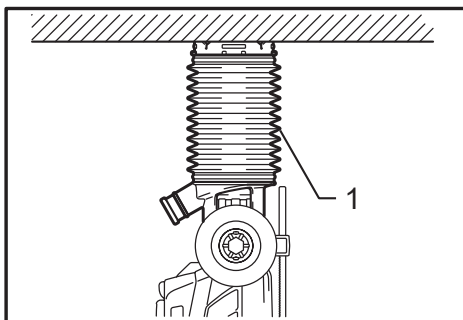
Perforación con corona diamantada

⚠ PRECAUCIÓN:

- Si efectúa operaciones de perforación con corona diamantada con la acción "rotación con martilleo", la corona perforadora diamantada puede dañarse.

Al efectuar operaciones de perforación, siempre fije la palanca de cambio a la posición  para utilizar la acción "sólo rotación".

Operación al utilizar el contenedor de polvo (Accesorio opcional)



► 1. Contenedor de polvo

Maneje la herramienta con el contenedor de polvo orientado contra la superficie del techo.

NOTA:

- El contenedor de polvo (accesorio opcional) está diseñado sólo para usarse al taladrar piezas de trabajo en cerámica sobre concreto y argamasa, por ejemplo. No use la herramienta con el contenedor de polvo al taladrar en metal o similares. El uso del contenedor de polvo para taladrar en metal puede que dañe el contenedor debido al calor generado por las partículas de metal o similares.
- Vacíe el contenedor de polvo antes de retirar la broca.
- Al usar el contenedor de polvo, asegúrese de que la tapadera se encuentre colocada y fijada con firmeza.

- Llave de mandril S13
- Grasa para brocas
- Empuñadura lateral de mango
- Calibrador de profundidad
- Soplador
- Contenedor de polvo (opcional)
- Maletín de transporte de plástico
- Mandril sin llave

NOTA:

- Algunos de los artículos en la lista puede que vengan junto con el paquete de la herramienta como accesorios incluidos. Puede que estos accesorios varíen de país a país.

MANTENIMIENTO

⚠PRECAUCIÓN:

- Asegúrese siempre que la herramienta esté apagada y desconectada antes de intentar realizar una inspección o mantenimiento.
- Nunca use gasolina, bencina, diluyente (tíner), alcohol o sustancias similares. Puede que esto ocasione grietas o descoloramiento.

Para mantener la SEGURIDAD y FIABILIDAD del producto, las reparaciones, la inspección y sustitución de las escobillas de carbón, y cualquier otro mantenimiento o ajuste deberán ser realizados en Centros o Servicios de fábrica Autorizados por Makita, empleando siempre piezas de repuesto de Makita.

GARANTÍA LIMITADA DE MAKITA

Ésta Garantía no aplica para México

Consulte la hoja de la garantía anexa para ver los términos más vigentes de la garantía aplicable a este producto. En caso de no disponer de esta hoja de garantía anexa, consulte los detalles sobre la garantía descritos en el sitio web de su país respectivo indicado a continuación.

Estados Unidos de América: www.makitatools.com

Canadá: www.makita.ca

Otros países: www.makita.com

ACCESORIOS OPCIONALES

⚠PRECAUCIÓN:

- Estos accesorios o aditamentos (incluidos o no) están recomendados para utilizar con su herramienta Makita especificada en este manual. El empleo de cualesquiera otros accesorios o acoplamientos conllevará un riesgo de sufrir heridas personales. Utilice los accesorios o acoplamientos solamente para su fin establecido.

Si necesita cualquier ayuda para más detalles en relación con estos accesorios, pregunte a su centro de servicio Makita local.

- Brocas con punta de carburo SDS- PLUS
- Broca corona
- Cíncel de punta
- Broca corona perforadora diamantada.
- Cíncel plano
- Cíncel desincrustador
- Cíncel ranurado
- Montaje de mandril
- Mandril S13
- Adaptador de mandril

< USA only >

WARNING

Some dust created by power sanding, sawing, grinding, drilling, and other construction activities contains chemicals known to the State of California to cause cancer, birth defects or other reproductive harm. Some examples of these chemicals are:

- lead from lead-based paints,
- crystalline silica from bricks and cement and other masonry products, and
- arsenic and chromium from chemically-treated lumber.

Your risk from these exposures varies, depending on how often you do this type of work. To reduce your exposure to these chemicals: work in a well ventilated area, and work with approved safety equipment, such as those dust masks that are specially designed to filter out microscopic particles.

< Sólo en los Estados Unidos >

ADVERTENCIA

Algunos polvos creados por el lijado, aserrado, esmerilado, taladrado y otras actividades de la construcción contienen sustancias químicas reconocidas por el Estado de California como causantes de cáncer, defectos de nacimiento y otros peligros de reproducción. Algunos ejemplos de estos productos químicos son:

- plomo de pinturas a base de plomo,
- sílice cristalino de ladrillos y cemento y otros productos de albañilería, y
- arsénico y cromo de maderas tratadas químicamente.

El riesgo al que se expone varía, dependiendo de la frecuencia con la que realice este tipo de trabajo. Para reducir la exposición a estos productos químicos: trabaje en un área bien ventilada y póngase el equipo de seguridad indicado, tal como las máscaras contra polvo que están especialmente diseñadas para filtrar partículas microscópicas.

Makita Corporation

3-11-8, Sumiyoshi-cho,
Anjo, Aichi 446-8502 Japan

www.makita.com

885385B940
HR2631F-1
EN, FRCA, ESMX
20190425